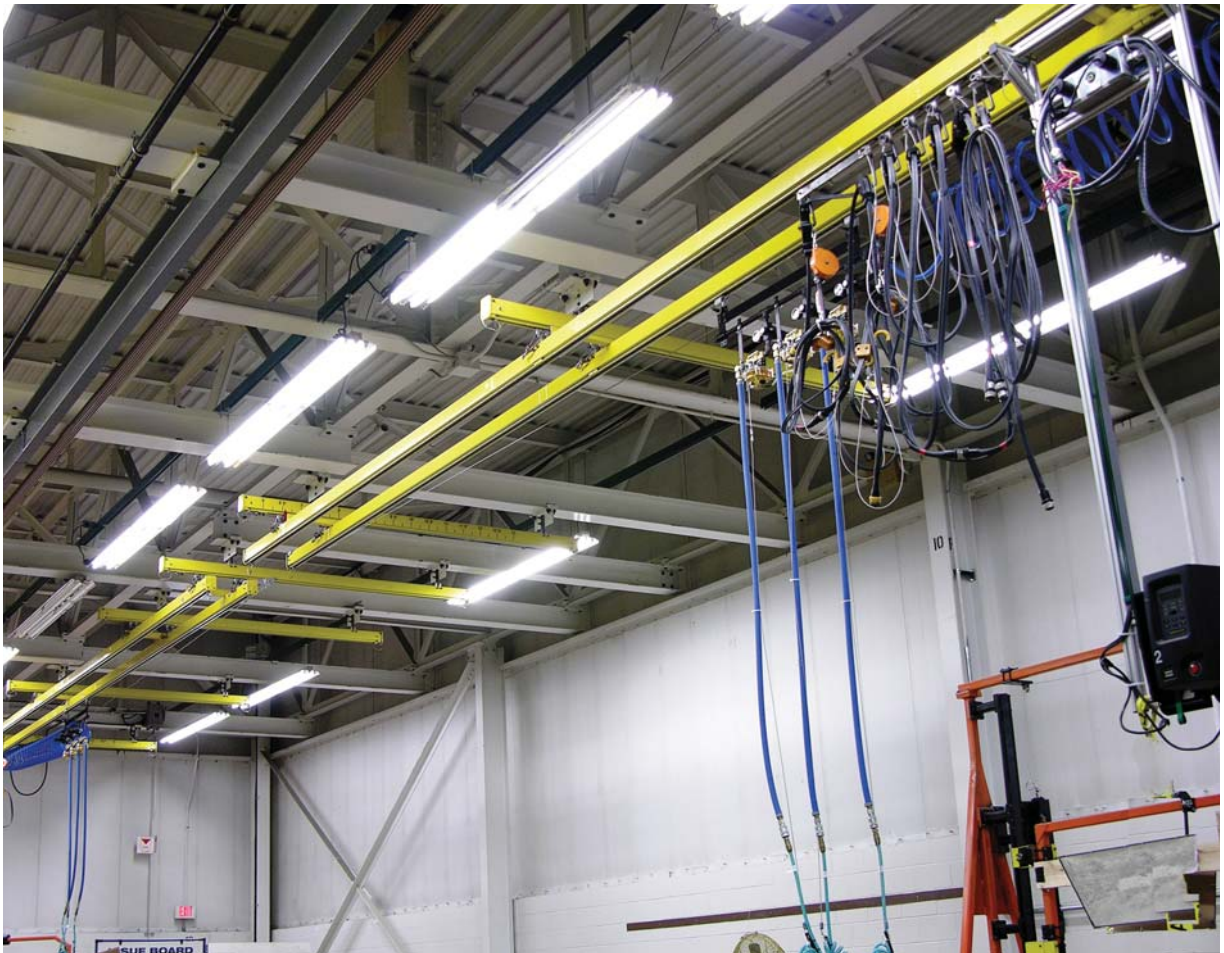




UNIFIED INDUSTRIES, INC.

A Columbus McKinnon Company

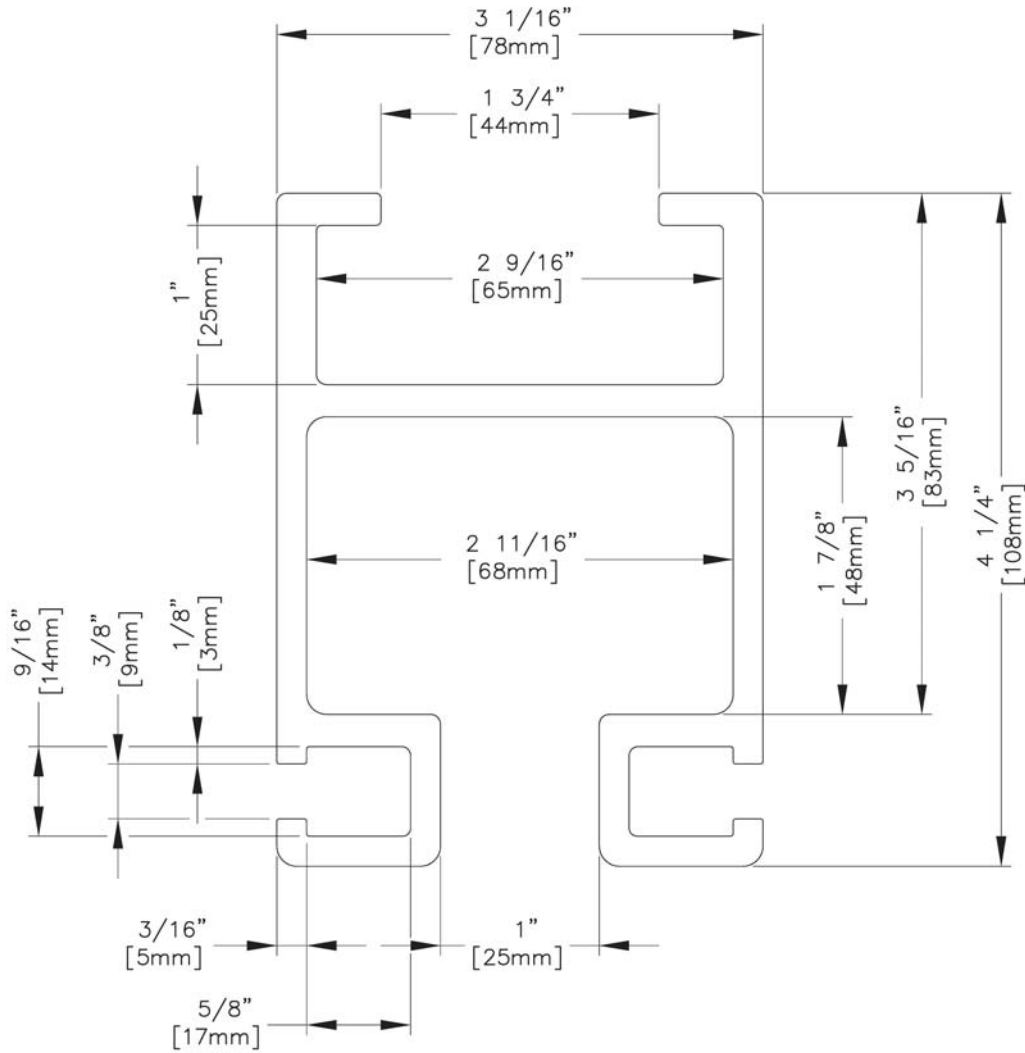
ETA-4 RAIL SYSTEMS





	PAGE
ETA-4 Rail Profiles.....	2-4
ETA-4 Rail Load Charts.....	5-6
ETA-4 & ETA-5 Hangers.....	7-10
ETA-4 Inspection Gate	11
ETA-4 Curve Rail.....	12-13
ETA-4 & ETA-5 Load Trolleys.....	14-17
ETA-4 & ETA-5 Festoon Trolley.....	18-21
ETA-4 & ETA-5 Bumper Trolley.....	22
ETA-4 & ETA-5 End Trucks.....	23-36
ETA-4 Bridges.....	37-41
ETA-4 Jib Cranes.....	42-43
ETA-4 Telescope.....	44
ETA-4 Floor Supports.....	45
ETA-4 Stop Assemblies.....	46-47
ETA-4 Rail Splices.....	48
Unified Air Festooning.....	49-52
ETA-4 Limit Switch Bracket/By-Pass Assembly.....	53
ETA-4 Drop Angle Kits.....	54-56
ETA-4 Air Tractor.....	57
Air Balancer.....	58-59
Caution Statement.....	60

***All dimensions are reference only
and need to be verified with factory.**



ETA-4 RAIL PROFILE
(87022)

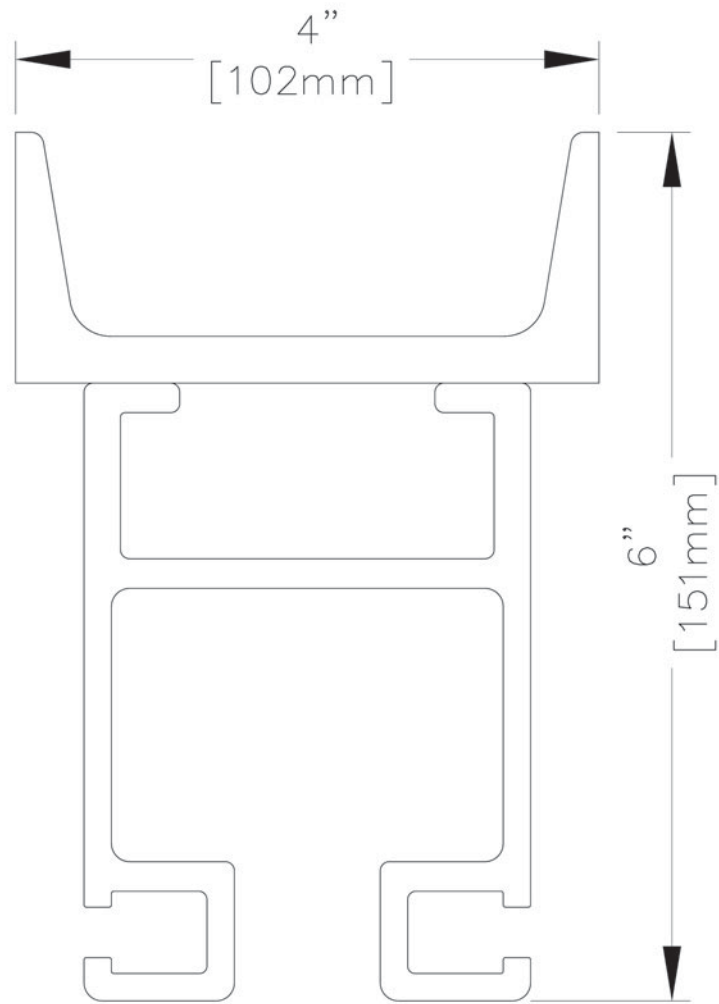
Part Number:

ETA4RW 08

Length of Rail in Feet (08 = 8 Feet)

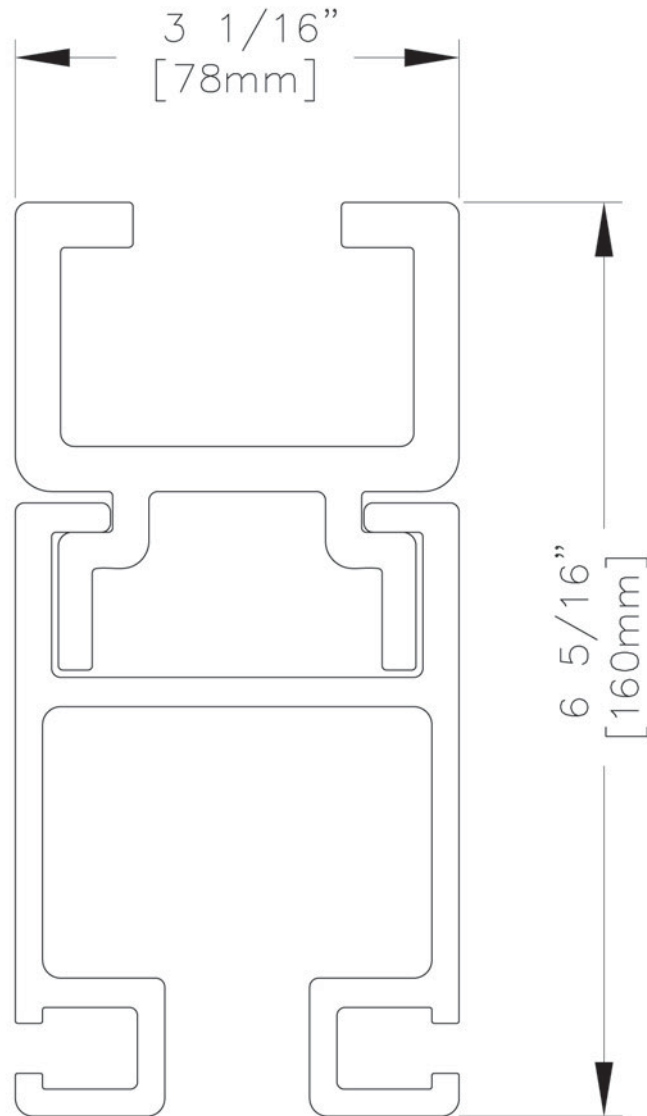
Rail Profile

- All Runways are Drilled for End Stops and Splice Holes.
- Round up to the nearest foot (Cut to 8'-6" = ETA4RW09)
- Maximum Length: 33'-0" (10m)
- Weight: 3.74 lbs./ft. (5.57kg/m)
- Standard Color Unified Safety Yellow
- Other Colors Specify when Ordering



ETA-4 RAIL WITH C4 X 2.5 CHANNEL CAP PROFILE

- Weight: 6.24 lbs./ft. (9.29kg/m)



ETA-4 RAIL WITH ETA STRONG BACK PROFILE

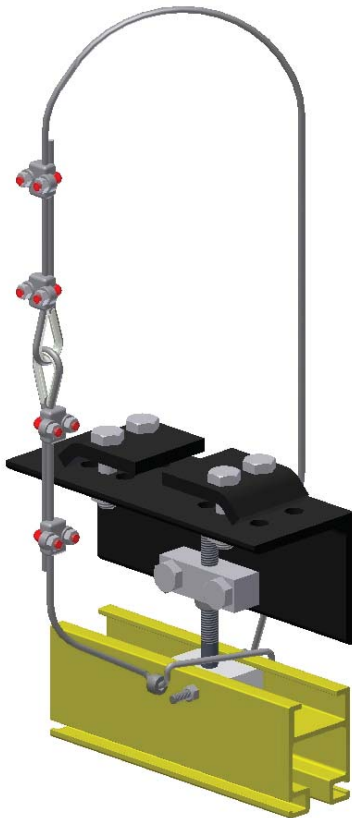
- Weight: 7.32 lbs./ft. (10.88kg/m)



Span Ft. (in)	Deflection Limit (in) L/450	Point Load @ Center of Span (lbs)		
		ETA-4	ETA-4 + CHANNEL CAP	ETA-4 + ETA STRONG BACK
		L/450	L/450	L/450
5 (60)	.1333	1736	4000	4000
6 (72)	.1600	1205	3148	4000
7 (84)	.1867	886	2313	3046
8 (96)	.2133	678	1771	2332
9 (108)	.2400	536	1399	1843
10 (120)	.2667	434	1133	1493
11 (132)	.2933	359	937	1234
12 (144)	.3200	301	787	1036
13 (156)	.3467	256	671	883
14 (168)	.3733	221	578	762
15 (180)	.4000	193	504	663
16 (192)	.4267	169	443	583
17 (204)	.4533	150	392	516
18 (216)	.4800	134	350	461
19 (228)	.5067	120	314	413
20 (240)	.5333	108	283	373
21 (252)	.5600	98	257	338
22 (264)	.5867	89	234	308
23 (276)	.6133	82	214	282
24 (288)	.6400	75	197	259
25 (300)	.6667	69	181	239
26 (312)	.6933	64	168	221
27 (324)	.7200	59	155	205
28 (336)	.7467	55	145	190
29 (348)	.7733	52	135	177
30 (360)	.8000	48	126	166
31 (372)	.8267	45	118	155
32 (384)	.8533	42	111	146
33 (396)	.8800	40	104	137

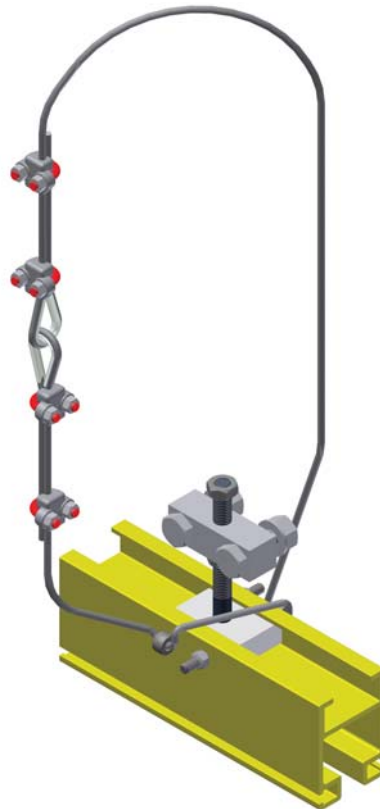


Span M (mm)	Deflection Limit (mm)	Point Load @ Center of Span (kg)		
		ETA-4	ETA-4 + CHANNEL CAP	ETA-4 + ETA STRONGBACK
	L/450	L/450	L/450	L/450
1.50 (1500)	3.3	813	1814	1814
1.75 (1750)	3.9	597	1560	1814
2.00 (2000)	4.4	547	1194	1572
2.25 (2250)	5.0	361	943	1242
2.50 (2500)	5.6	293	764	1006
2.75 (2750)	6.1	242	632	832
3.00 (3000)	6.7	203	531	699
3.25 (3250)	7.2	173	452	595
3.50 (3500)	7.8	149	390	513
3.75 (3750)	8.3	130	340	447
4.00 (4000)	8.9	114	299	393
4.25 (4250)	9.4	101	264	348
4.50 (4500)	10.0	90	236	311
4.75 (4750)	10.6	81	212	279
5.00 (5000)	11.1	73	191	252
5.25 (5250)	11.7	66	173	228
5.50 (5500)	12.2	60	158	208
5.75 (5750)	12.8	55	144	190
6.00 (6000)	13.3	51	133	175
6.25 (6250)	13.9	47	122	161
6.50 (6500)	14.4	43	113	149
6.75 (6750)	15.0	40	105	138
7.00 (7000)	15.6	37	97	128
7.25 (7250)	16.1	35	91	120
7.50 (7500)	16.7	33	85	112
7.75 (7750)	17.2	30	80	105
8.00 (8000)	17.8	29	75	98
8.25 (8250)	18.3	27	70	92
8.50 (8500)	18.9	25	66	87
8.75 (8750)	19.4	24	62	82
9.00 (9000)	20.0	23	59	78
9.25 (9250)	20.6	21	56	74
9.50 (9500)	21.1	20	53	70
9.75 (9750)	21.7	19	50	66
10.00 (10000)	22.2	18	48	63



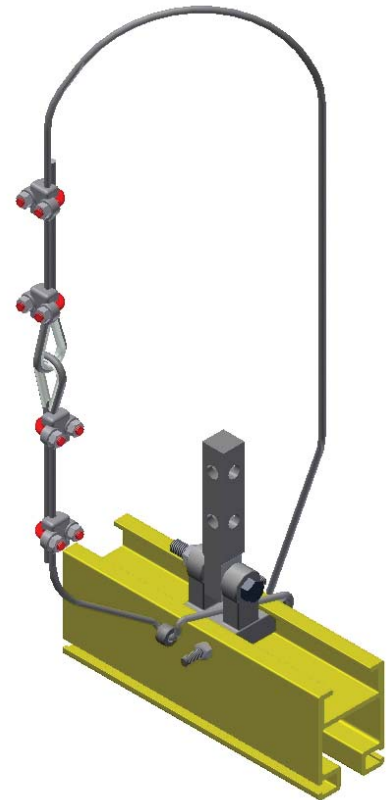
CLOSED ADJUSTABLE HANGER*

25473 FOR BEAMS 2.33" (59mm)
TO 3.33" (85mm) wide
25474 FOR BEAMS 4" (102mm)
TO 8" (203mm) wide



25467 ADJUSTABLE BLOCK HANGER

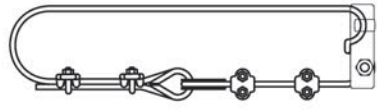
Allows for 2" (50mm) of vertical
adjustment in the field



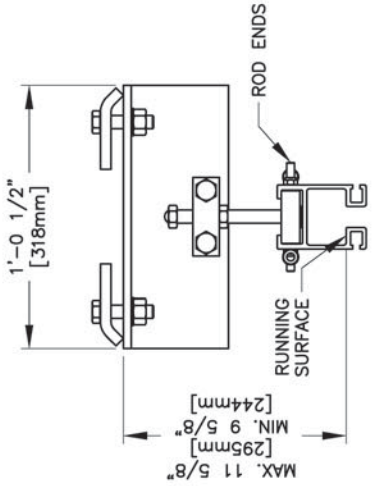
25286 BLOCK HANGER

- All hangers must be bolted through rail.
- All hangers include a 6'-0" (1.82m) safety cable 78287.

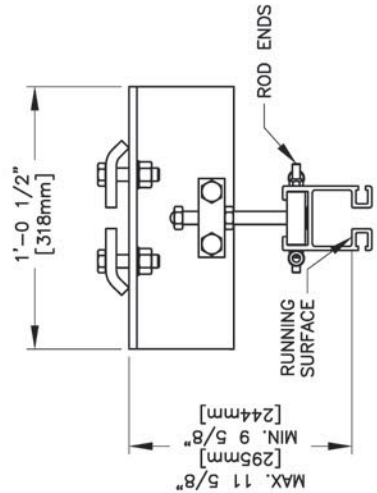
*Note: Grip range 1/4" (6mm) to 9/16" (15mm) thick flange.



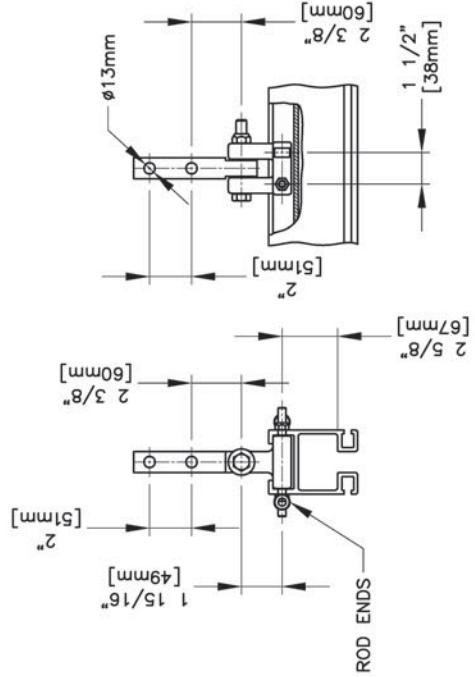
SAFETY CABLE ASSEMBLY VIEW
ALL HANGERS COME WITH A SAFETY CABLE 78287



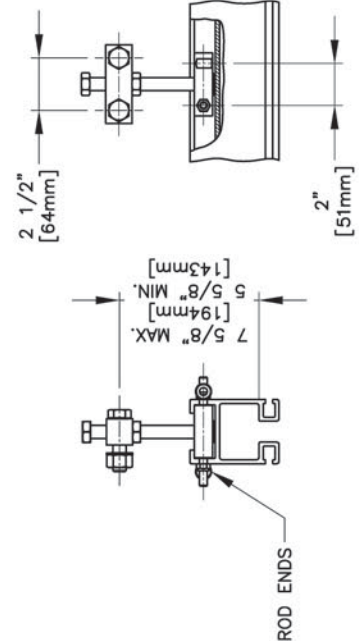
25474 CLOSED ADJUSTABLE HANGER
FOR BEAMS 4" [102mm] TO 8" [203mm] WIDE AND
FLANGE THICKNESS FROM 1/4" [6mm] TO 9/16" [15mm]
RATED LOAD 1500 lbs. [680 Kg.]
WEIGHT 23 lbs. [10.43 Kg.]



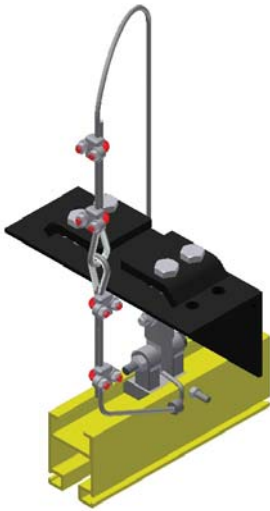
25473 CLOSED ADJUSTABLE HANGER
FOR BEAMS 2.33" [59mm] TO 3.33" [85mm] WIDE AND
FLANGE THICKNESS FROM 1/4" [6mm] TO 9/16" [15mm]
RATED LOAD 1500 lbs. [680 Kg.]
WEIGHT 22 lbs. [9.98 Kg.]



25286 BLOCK HANGER
RATED LOAD 2000 lbs. [907 Kg.]
WEIGHT 4 lbs. [1.81 Kg.]

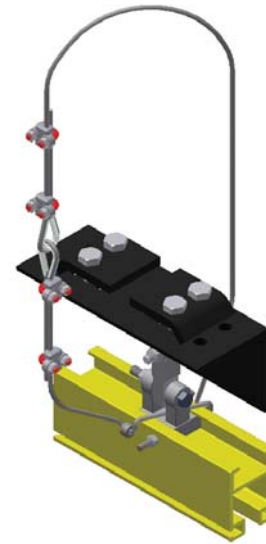


25467 ADJUSTABLE BLOCK HANGER
RATED LOAD 1500 lbs. [680 Kg.]
WEIGHT 6 lbs. [2.72 Kg.]



BEAM HANGER*
PARALLEL MOUNT

27055 FOR BEAMS 2.33" (59mm) TO 3.33" (85mm)
27057 FOR BEAMS 4" (102mm) TO 8" (203mm)



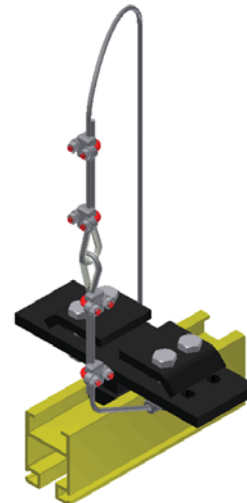
BEAM HANGER*

PERPENDICULAR MOUNT

27055 FOR BEAMS 2.33" (59mm) TO 3.33" (85mm)
27057 FOR BEAMS 4" (102mm) TO 8" (203mm)



27070 ETA RIGID MOUNT HANGER**



RIGID MOUNT HANGER*

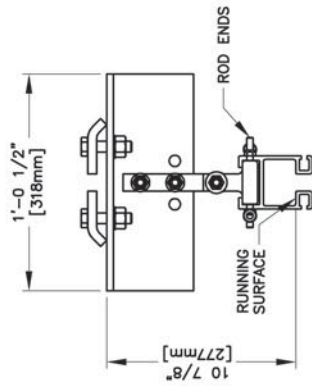
PARALLEL MOUNT

27073 FOR BEAMS 2.33" (59mm) TO 3.33" (85mm)
27071 FOR BEAMS 4" (102mm) TO 8" (203mm)

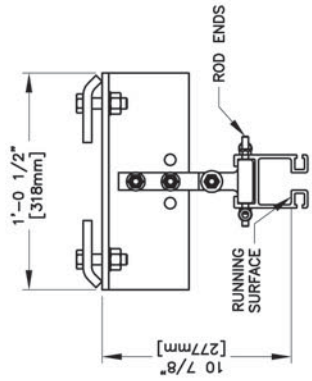
- All hangers must be bolted through rail.
- All hangers include a 6'-0" (1.82m) safety cable 78287.

*Grip range 1/4" (6mm) to 9/16" (15mm) thick flange.

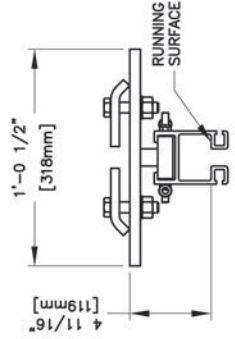
**For use on W-Shape beams only.



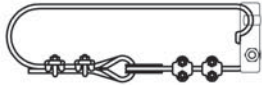
27055 BEAM HANGER PARALLEL MOUNT
FOR BEAMS 2.33" [59mm] TO 3.33" [85mm] WIDE AND
FLANGE THICKNESS FROM 1/4" [6mm] TO 9/16" [15mm]
RATED LOAD 2000 lbs. [907 Kg.]
WEIGHT 23 lbs. [10.43 Kg.]



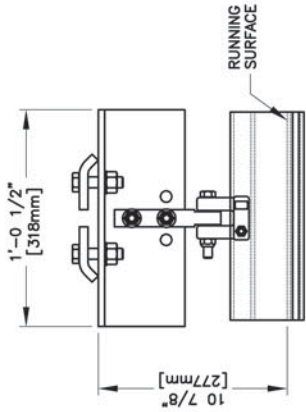
27057 BEAM HANGER PARALLEL MOUNT
FOR BEAMS 4" [102mm] TO 8" [203mm] WIDE AND
FLANGE THICKNESS FROM 1/4" [6mm] TO 9/16" [15mm]
RATED LOAD 2000 lbs. [907 Kg.]
WEIGHT 24 lbs. [10.89 Kg.]



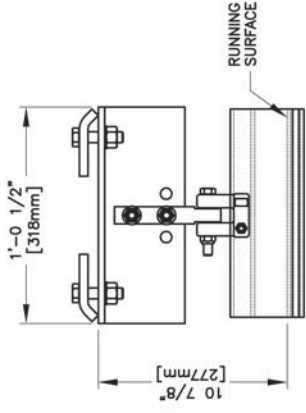
27071 PARALLEL RIGID MOUNT HANGER
FOR BEAMS 4" [102mm] TO 8" [203mm] WIDE AND
FLANGE THICKNESS FROM 1/4" [6mm] TO 9/16" [15mm]
RATED LOAD 2000 lbs. [907 Kg.]
WEIGHT 18 lbs. [8.16 Kg.]



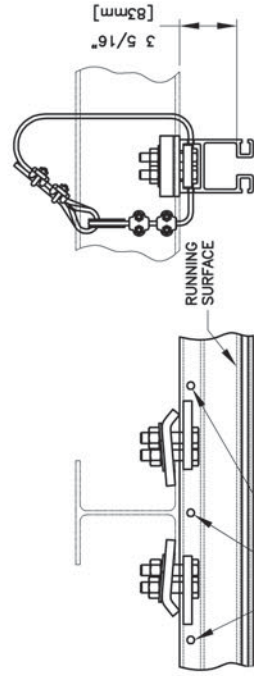
SAFETY CABLE ASSEMBLY VIEW
ALL HANGERS COME WITH A SAFETY CABLE 78287



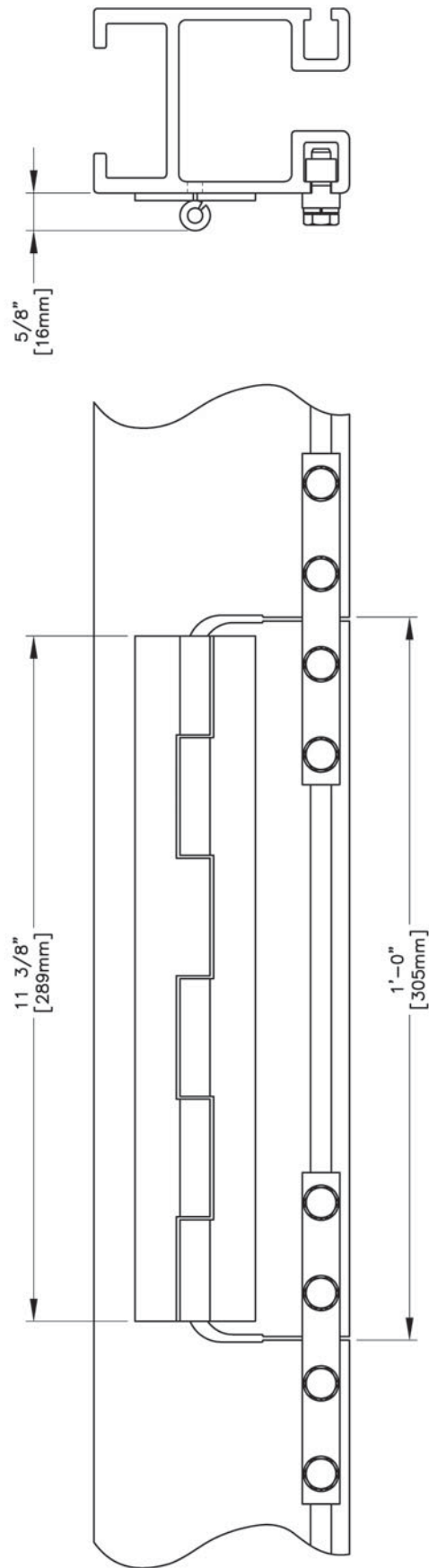
27055 BEAM HANGER PERPENDICULAR MOUNT
FOR BEAMS 2.33" [59mm] TO 3.33" [85mm] WIDE AND
FLANGE THICKNESS FROM 1/4" [6mm] TO 9/16" [15mm]
RATED LOAD 2000 lbs. [907 Kg.]
WEIGHT 23 lbs. [10.43 Kg.]



27057 BEAM HANGER PERPENDICULAR MOUNT
FOR BEAMS 4" [102mm] TO 8" [203mm] WIDE AND
FLANGE THICKNESS FROM 1/4" [6mm] TO 9/16" [15mm]
RATED LOAD 2000 lbs. [907 Kg.]
WEIGHT 24 lbs. [10.89 Kg.]



27070 ETA RIGID MOUNT HANGER
RATED LOAD 4000 lbs. [1588 Kg.]
FLANGE THICKNESS FROM
1/4" [6mm] TO 9/16" [15mm]
FOR W-SHAPE BEAMS ONLY
WEIGHT 10 lbs. [4.54 Kg.]



25790 INSPECTION GATE
FOR INSERTION AND REMOVAL OF TROLLEYS

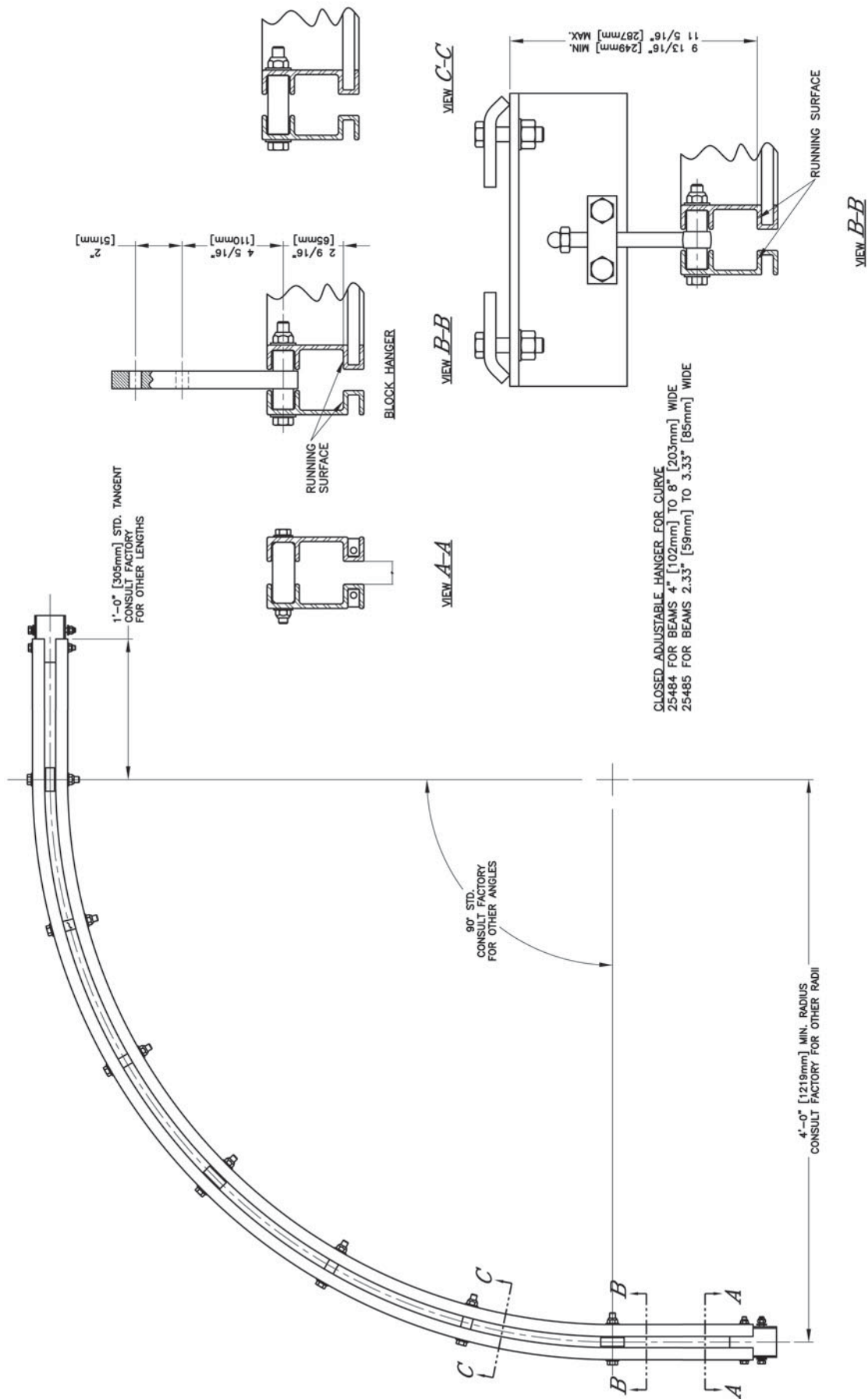
Inspection Gate must be within 1'-0" (305 mm) of a hanger.



ETA-4 CURVE

Features

- 4'-0" (1219mm) minimum radius
- Consult factory for additional information
- **87051** up to 6'-0" (1829mm) radius x 90°
- **87052** up to 6'-0" (1829mm) radius x 90° with Closed Adjustable Hangers
- **87056** up to 6'-0" (1829mm) radius x 45°
- **87057** up to 6'-0" (1829mm) radius x 45° with Closed Adjustable Hangers
- **87061** 6'-1" (1855mm) to 14'-0" (4267mm) radius x 90°
- **87062** 6'-1" (1855mm) to 14'-0" (4267mm) radius x 90° with Closed Adjustable Hangers



ETA-4 CURVED RAIL



UNIFIED ETA-4 & ETA-5 RAIL TROLLEYS



20100



20110



20115



28070



20130



20125



20116



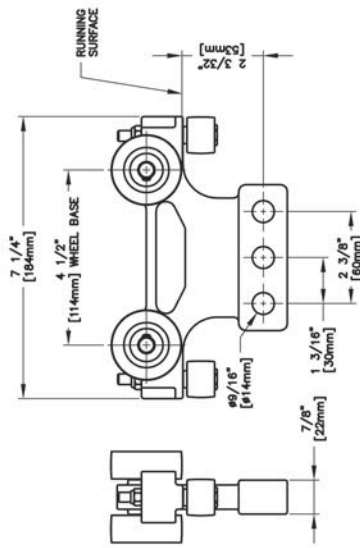
20117

Part Number

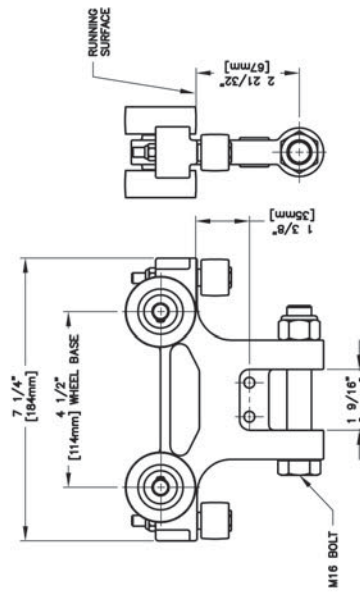
- **20100** ETA-4/5 Short Body Load Trolley with 550 lb. (250kg) Rated Load
- **20110** ETA-4/5 Long Body Load Trolley with 550 lb. (250kg) Rated Load
- **20115** ETA-4/5 Three Hole Mount Load Trolley with 550 lb (250kg) Rated Load
- **28070** ETA-4/5 Unified Balancer Trolley with 550 lb. (250kg) Rated Load
- **20130** ETA-4/5 Single Hoist Trolley with 550 lb. (250kg) Rated Load
- **20125** ETA-4/5 Pin Mount Trolley with 550 lb. (250kg) Rated Load
- **20116** ETA-4/5 Trolley for IR 6" Balancer with 550 lb. (250kg) Rated Load
- **20117** ETA-4/5 Trolley for IR 10" Balancer with 550 lb. (250kg) Rated Load

Features

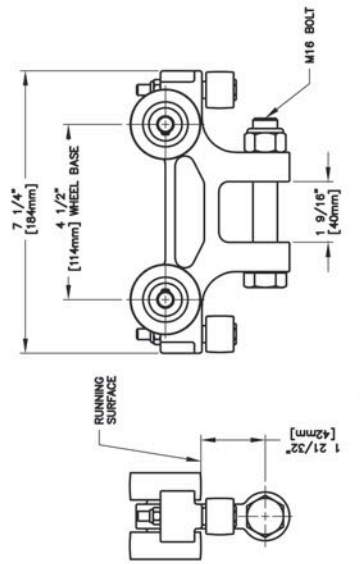
- High tensile almag alloy frame
- 1.8" (46mm) Nylon glass reinforced wheels, with permanently sealed precision ball bearings
- High impact nylon guide rollers with dual race ball bearings for smooth, quiet operation
- Operates within enclosed rail free from obstructing material
- Dielectrically insulated
- Low inertia: less than 1% of load
- Operating temperature range: +32 degrees to +212 degrees F (0 degrees to +100 degrees C)



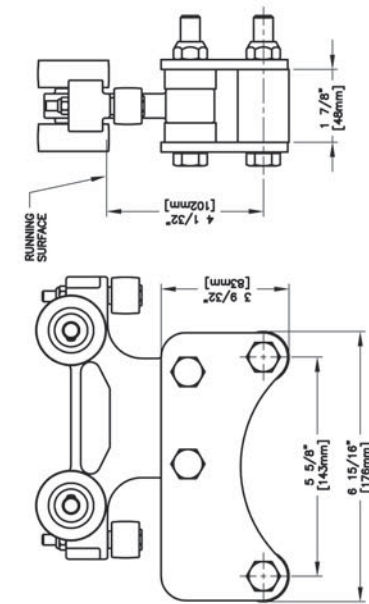
20115 ETA-4/5 THREE HOLE MOUNT LOAD TROLLEY



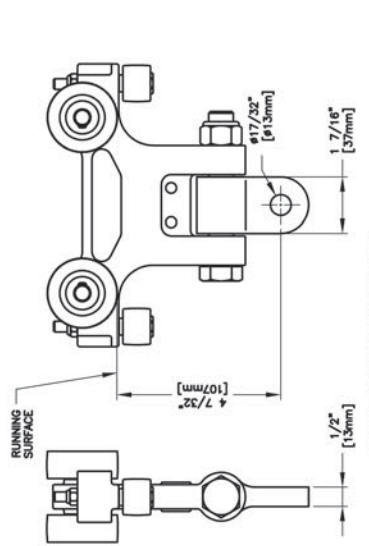
20110 ETA-4/5 LONG BODY LOAD TROLLEY



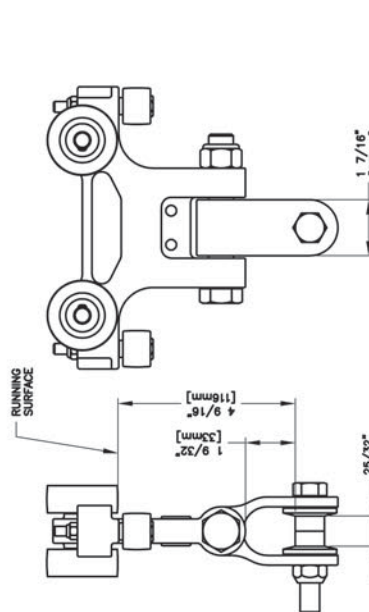
20100 ETA-4/5 SHORT BODY LOAD TROLLEY



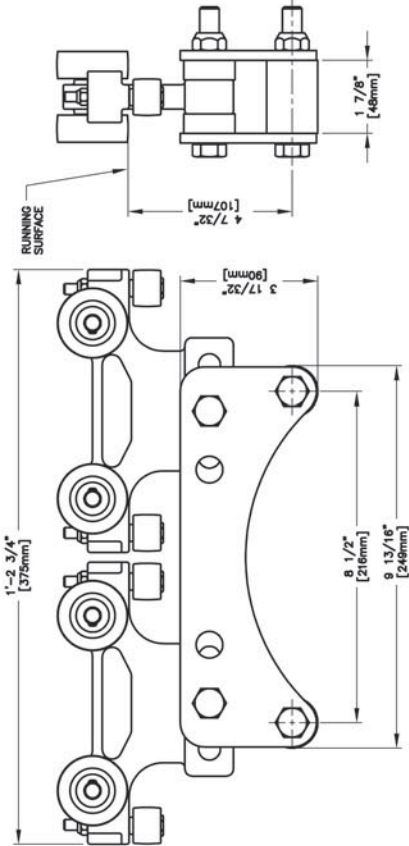
20116 ETA-4/5 IR 6\"/>



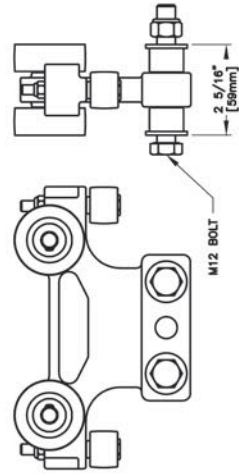
20125 ETA-4/5 PIN MOUNT TROLLEY



20130 ETA-4/5 SINGLE HOIST TROLLEY



20117 ETA-4/5 IR 10\"/>

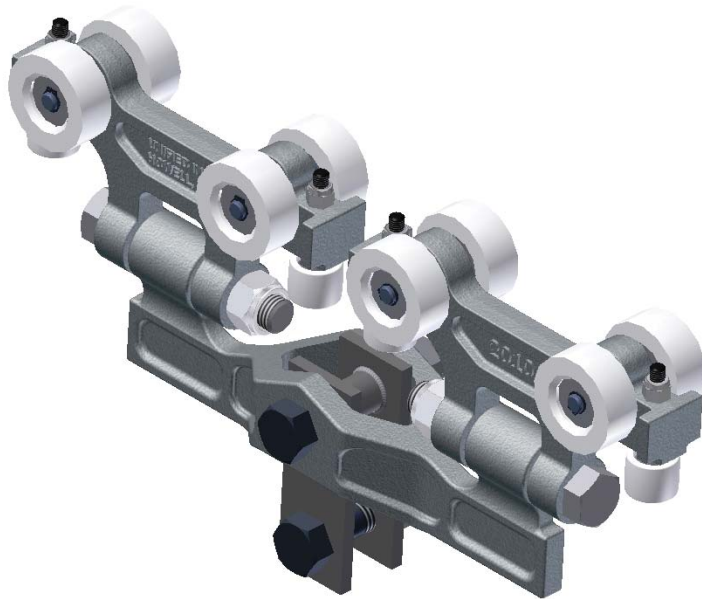


28070 ETA-4/5 BALANCER SUSPENSION KIT

SPECIFICATIONS		RATED LOAD	
WEIGHT OF 20100:	2.15 lbs. [.98 Kg.]	550 lbs. [250 Kg.]	
WEIGHT OF 20110:	2.23 lbs. [1.01 Kg.]	550 lbs. [250 Kg.]	
WEIGHT OF 20115:	2.00 lbs. [.91 Kg.]	550 lbs. [250 Kg.]	
WEIGHT OF 20130:	2.92 lbs. [1.32 Kg.]	550 lbs. [250 Kg.]	
WEIGHT OF 20125:	2.45 lbs. [1.11 Kg.]	550 lbs. [250 Kg.]	
WEIGHT OF 20116:	7.08 lbs. [3.20 Kg.]	550 lbs. [250 Kg.]	
WEIGHT OF 20117:	9.80 lbs. [4.45 Kg.]	1100 lbs. [500 Kg.]	
WEIGHT OF 28070:	2.10 lbs. [.95 Kg.]	550 lbs. [250 Kg.]	
BODY : HIGH TENSILE ALMAG			
WHEELS : 1.825 DIA. [46.4mm DIA.] GLASS REINFORCED NYLON			
BEARINGS : BALL PERMANENTLY LUBRICATED STUDS : .50 DIA. [12.7mm DIA.]			
GUIDE ROLLERS : .94 DIA. [23.9mm DIA.] HIGH IMPACT NYLON			



UNIFIED ETA-4 & ETA-5 RAIL TROLLEYS



25330



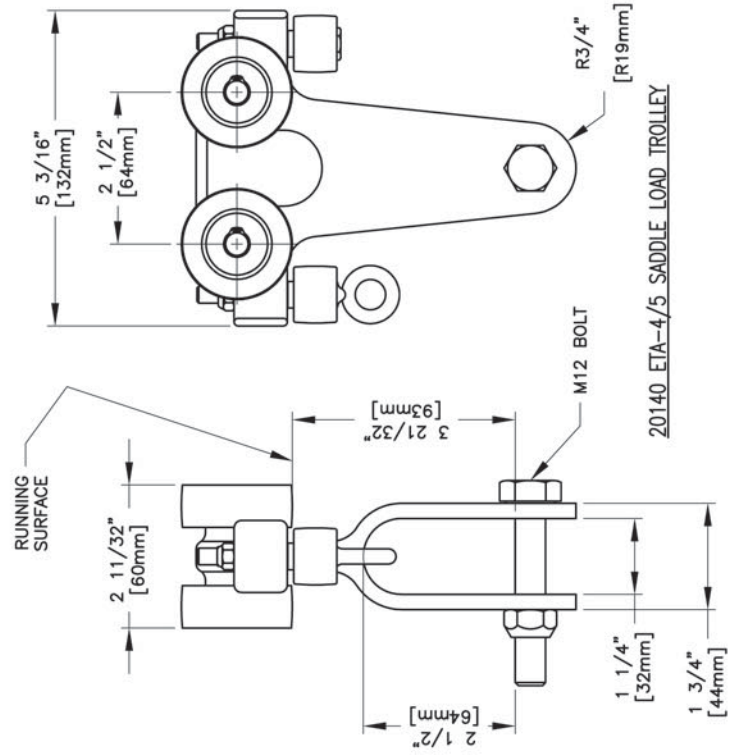
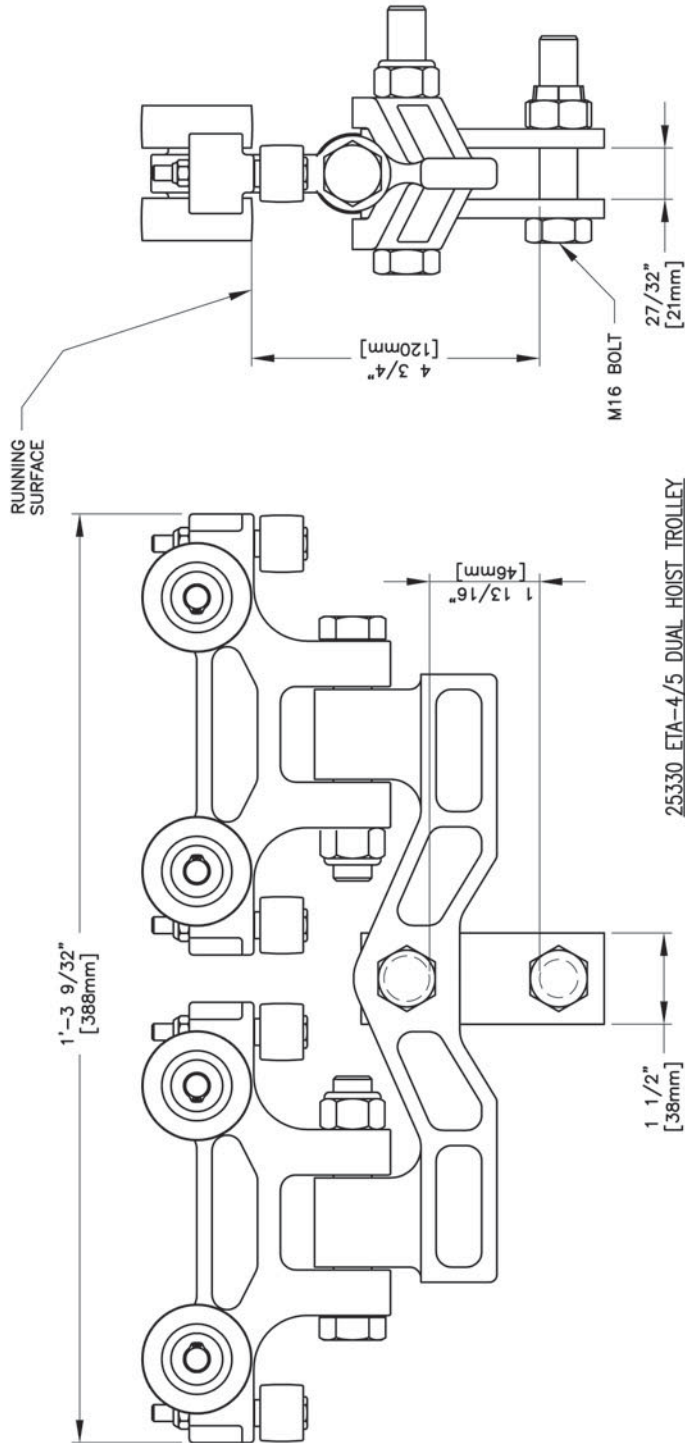
20140

Part Number

- **25330** ETA-4/5 Dual Hoist Trolley with 1100 lb. (500kg) Rated Load
- **20140** ETA-4/5 Saddle Load Trolley with 550 lb. (250kg) Rated Load

Features

- High tensile almag alloy frame
- 1.8"(46mm) Nylon glass reinforced wheels, with permanently sealed precision ball bearings
- High impact nylon guide rollers with dual race ball bearings for smooth, quiet operation
- Operates within enclosed rail free from obstructing material
- Dielectrically insulated
- Low inertia: less than 1% of load
- Operating temperature range: +32 degrees to +212 degrees F (0 degrees to +100 degrees C)



SPECIFICATIONS	RATED LOAD
WEIGHT OF 25330: 7.08 lbs. [3.21 Kg.]	1100 lbs. [500 Kg.]
WEIGHT OF 20140: 1.83 lbs. [.83 Kg.]	550 lbs. [250 Kg.]
BODY : HIGH TENSILE ALMAG	
WHEELS : 1.825 DIA. [46.4mm DIA.] GLASS REINFORCED NYLON	
BEARINGS : BALL PERMANENTLY LUBRICATED	
STUDS : .50 DIA. [12.7mm DIA.]	
GUIDE ROLLERS : .94 DIA. [23.9mm DIA.] HIGH IMPACT NYLON	

UNIFIED ETA-4 & ETA-5 FESTOON TROLLEY



20150



20155



20160



20165



20180



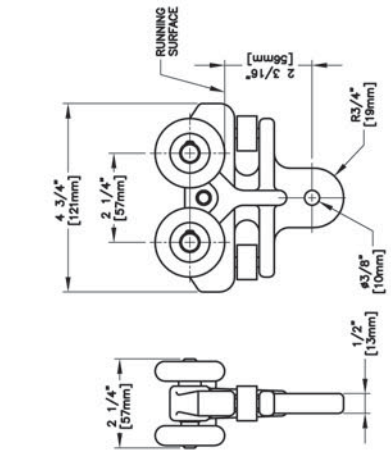
20185

Part Number

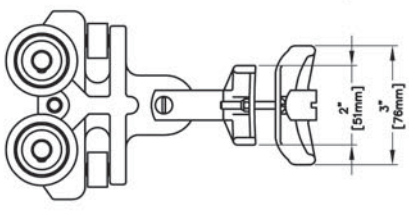
- **20150** ETA-4/5 Festoon Trolley with 100 lb. (45kg) Rated Load
- **20155** ETA-4/5 Festoon Trolley and Small Saddle with 100 lb. (45kg) Rated Load
- **20160** ETA-4/5 Festoon Trolley and Large Saddle with 100 lb. (45kg) Rated Load
- **20165** ETA-4/5 Festoon Trolley and Flatwire Saddle with 100 lb. (45kg) Rated Load
- **20180** ETA-4/5 Festoon Trolley and UII Saddle with 100 lb. (45kg) Rated Load
- **20185** ETA-4/5 Festoon Trolley with 12" Saddle 100 lb. (45kg) Rated Load

Features

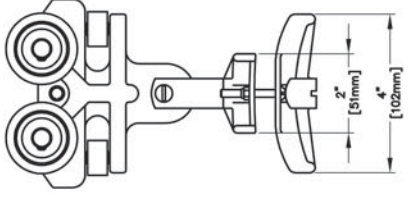
- High tensile almag alloy frame
- 1.8" (46mm) Nylon glass reinforced wheels, with permanently sealed precision ball bearings
- High-impact nylon guide rollers with smooth, quiet operation
- Operates within enclosed rail free from obstructing material
- Dielectrically insulated
- Low inertia: less than 1% of load
- Operating temperature range: +32 degrees to +212 degrees F (0 degrees to +100 degrees C)



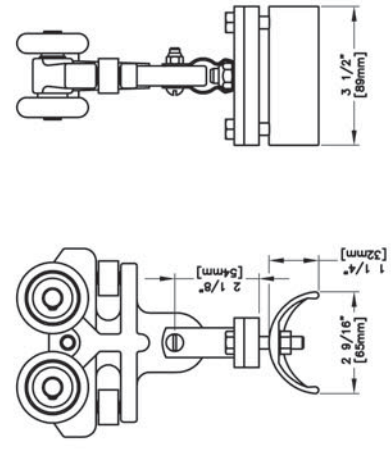
20150 ETA-4/5 FESTOON TROLLEY



20155 ETA-4/5 FESTOON TROLLEY WITH SMALL SADDLE



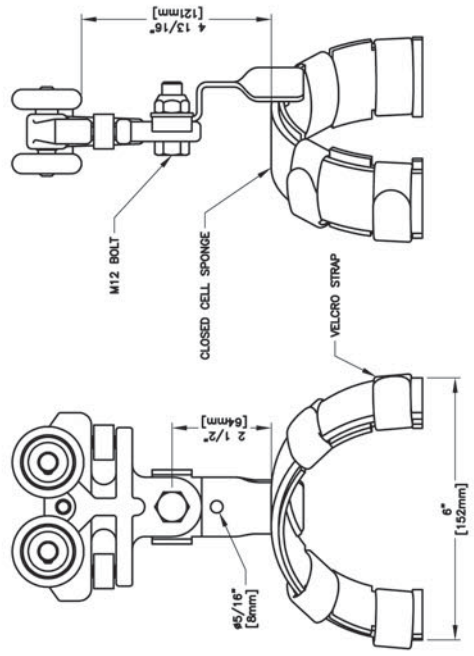
20160 ETA-4/5 FESTOON TROLLEY WITH LARGE SADDLE



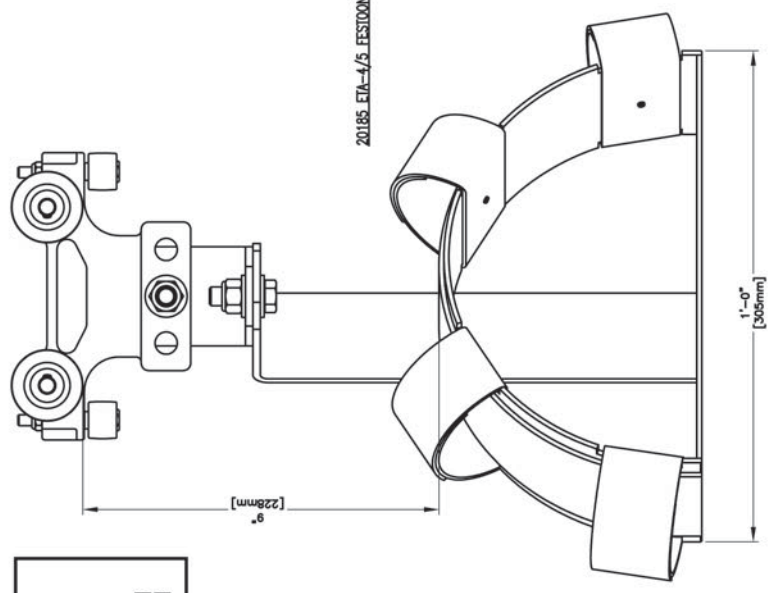
20165 ETA-4/5 FESTOON TROLLEY WITH FLATWIRE SADDLE

SPECIFICATIONS:
 WHEELS: 1.912 DIA. [49mm DIA.] HIGH IMPACT NYLON
 BODY: ALUM. 35
 BEARINGS: BALL TYPE PERMANENTLY LUBRICATED
 STUDS: 2.00 DIA. [50mm DIA.]
 CLOSURE: 2.00 DIA. [50mm DIA.]
 OPERATING TEMP. AT 100% LOAD: -107 TO +110°F [-23°C TO +43°C]
 ROLLING FRICTION: .25% TO 1% OF LOAD
 MAX. LOAD PER WHEEL: 25 Lbs. [11.2 Kg.]

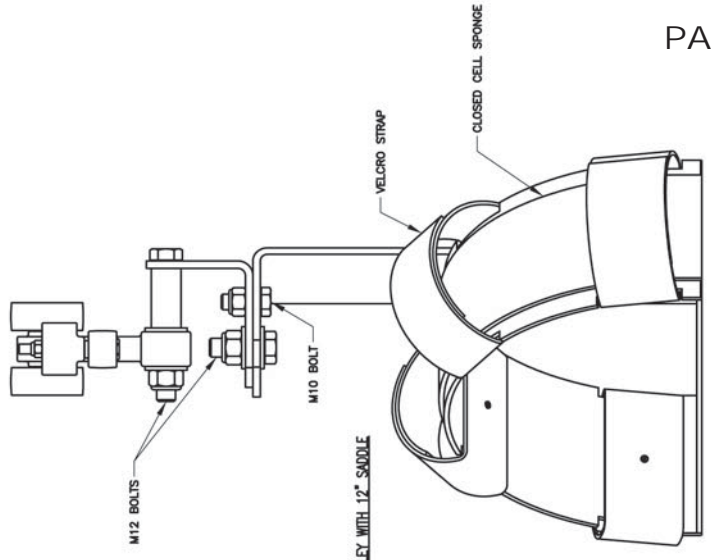
TROLLEY	WEIGHT
20150:	1.50 lbs. [.68 Kg.]
20155:	1.69 lbs. [.77 Kg.]
20160:	1.71 lbs. [.78 Kg.]
20165:	2.12 lbs. [.96 Kg.]
20180:	2.69 lbs. [1.22 Kg.]
20185:	9.50 lbs. [4.31 Kg.]



20180 ETA-4/5 FESTOON TROLLEY WITH LUL SADDLE



20185 ETA-4/5 FESTOON TROLLEY WITH 12" SADDLE





UNIFIED ETA-4 & ETA-5 FESTOON TROLLEY



20170



20175



78260



78184



78190



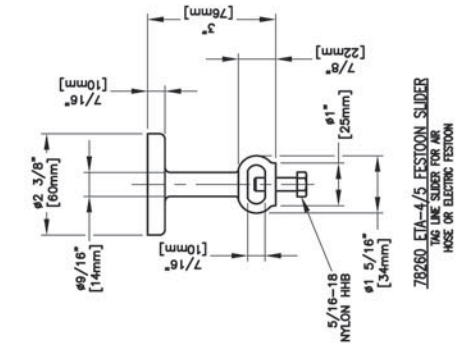
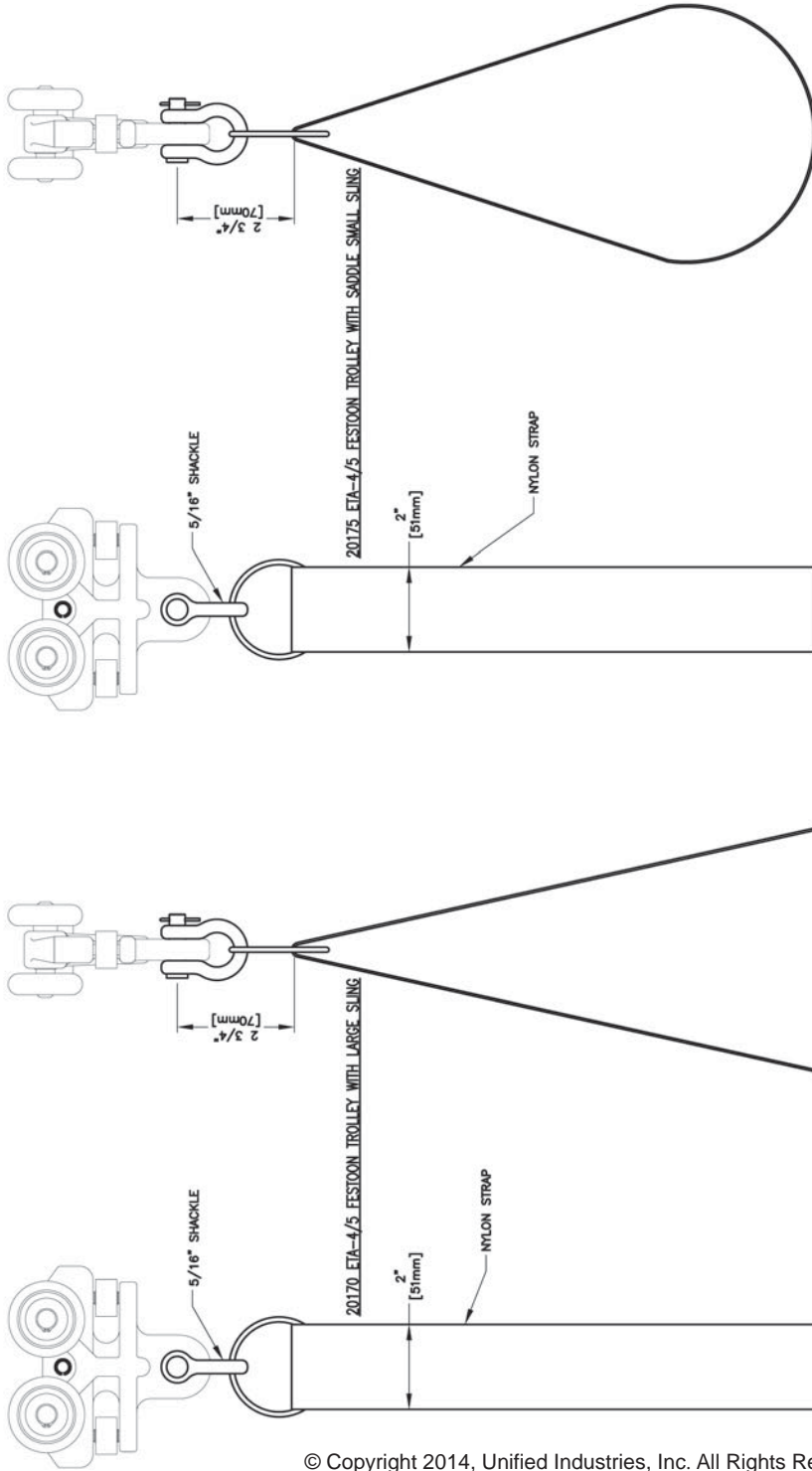
78170

Part Number

- **20170*** ETA-4/5 Festoon Trolley and 24" Large Sling with 100 lb. (45kg) Rated Load
- **20175*** ETA-4/5 Festoon Trolley and 12" Small Sling with 100 lb. (45kg) Rated Load
- **78260** ETA-4/5 Festoon Slider
- **78184** Cable Trolley with Small Saddle
- **78190** Cable Trolley with Large Saddle
- **78170** Cable Trolley Flatwire Saddle

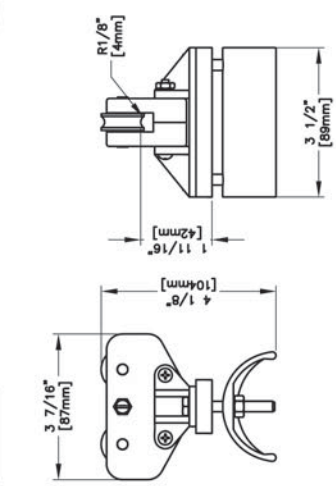
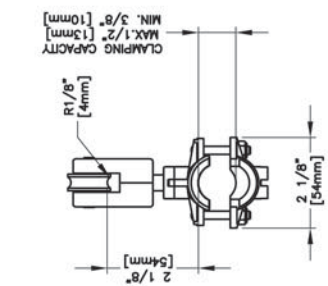
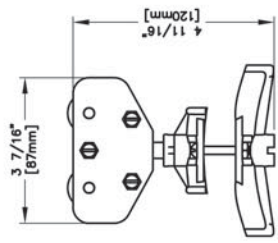
Features

- High tensile almag alloy frame
- 1.8" (46mm) Nylon glass reinforced wheels, with permanently sealed precision ball bearings
- High-impact nylon guide rollers with smooth, quiet operation
- Operates within enclosed rail free from obstructing material
- Dielectrically insulated
- Low inertia: less than 1% of load
- Operating temperature range: +32 degrees to +212 degrees F (0 degrees to +100 degrees C)



FESTOON TROLLEY SPECIFICATIONS :
 WHEELS : 1.912 DIA. [48mm DIA.] HIGH IMPACT NYLON
 BEARINGS : BALL TYPE PERMANENTLY LUBRICATED
 STUDS : .50 DIA. [13mm DIA.]
 GUIDE ROLLERS : .34 DIA. [9mm DIA.]
 OPERATING TEMP. : AT 100% LOAD : -10°F TO +110°F [-23°C TO +43°C]
 ROLLING FRICTION : .3% TO 1% OF LOAD
 MAX. LOAD PER WHEEL : 25 lbs. [11.2 Kg.]

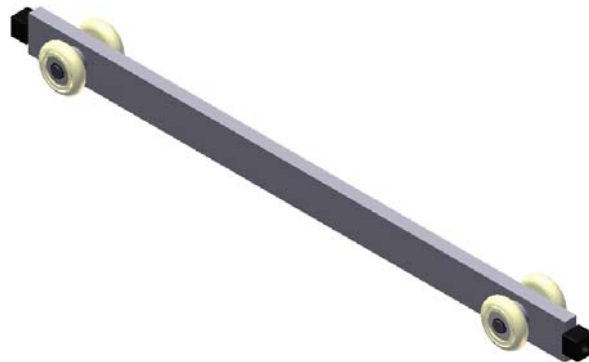
TROLLEY	WEIGHT
20170:	2.00 lbs. [.91 Kg.]
20175:	1.83 lbs. [.83 Kg.]
78260:	.07 lbs. [.03 Kg.]
78170:	.46 lbs. [.21 Kg.]
78184:	.37 lbs. [.17 Kg.]
78190:	.41 lbs. [.19 Kg.]



78190_CABLE_TROLLEY_WITH_LARGE_SADDLE

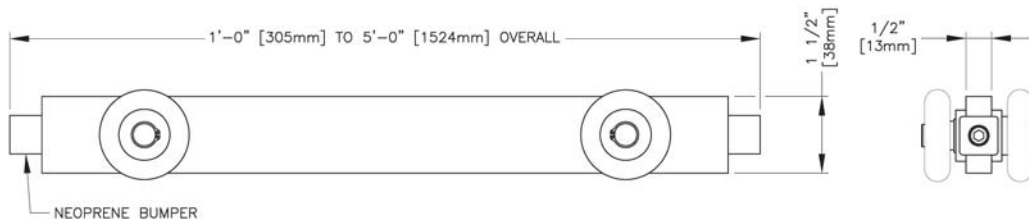
78184_CABLE_TROLLEY_WITH_SMALL_SADDLE

78170_CABLE_TROLLEY_WITH_FLATWIRE_SADDLE



ETA-4/ETA-5 BUMPER TROLLEY

BUMPER TROLLEY	
CARRIER SPECIFICATIONS :	
BODY : 6061 ALUMINUM	
STUDS : .50 DIA. [13mm DIA.]	
WEIGHT OF 20190:	1.63 lbs. [.74 Kg.]
WEIGHT OF 20191:	2.51 lbs. [1.14 Kg.]
WEIGHT OF 20192:	3.39 lbs. [1.54 Kg.]
WEIGHT OF 20193:	4.27 lbs. [1.94 Kg.]
WEIGHT OF 20194:	5.15 lbs. [2.34 Kg.]



Part Number

- **20190** 1'-0" (305mm) Bumper trolley to operate on Unified ETA-4 and ETA-5
- **20191** 2'-0" (610mm) Bumper trolley to operate on Unified ETA-4 and ETA-5
- **20192** 3'-0" (914mm) Bumper trolley to operate on Unified ETA-4 and ETA-5
- **20193** 4'-0" (1219mm) Bumper trolley to operate on Unified ETA-4 and ETA-5
- **20194** 5'-0" (1524mm) Bumper trolley to operate on Unified ETA-4 and ETA-5

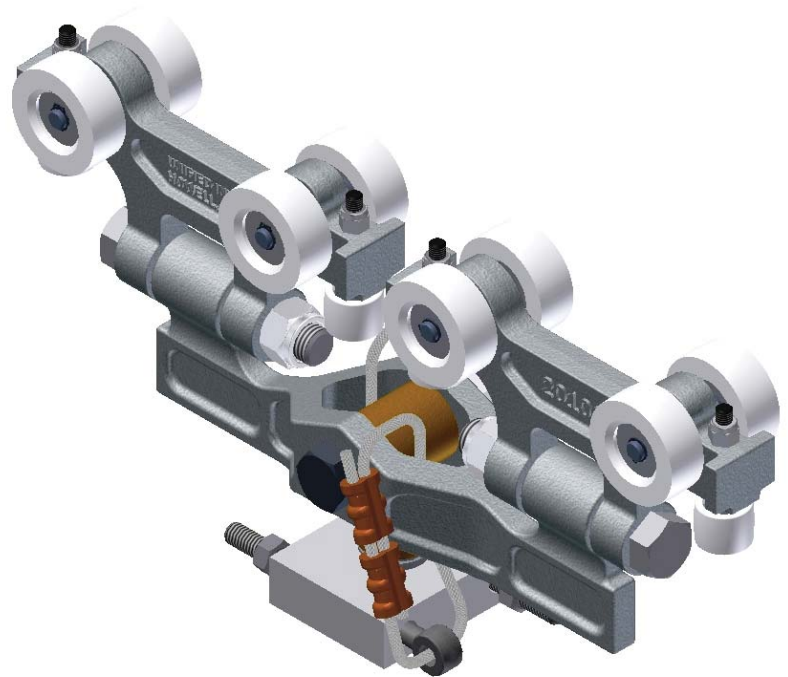
Features

- Aluminum trolley body
- 1.8" (46mm) High-impact nylon wheels, with permanently sealed precision ball bearings
- Operates within enclosed rail free from obstructing material
- Dielectrically insulated
- Low inertia: less than 1% of load
- Operating temperature range: +32 degrees to +212 degrees F (0 degrees to +100 degrees C)



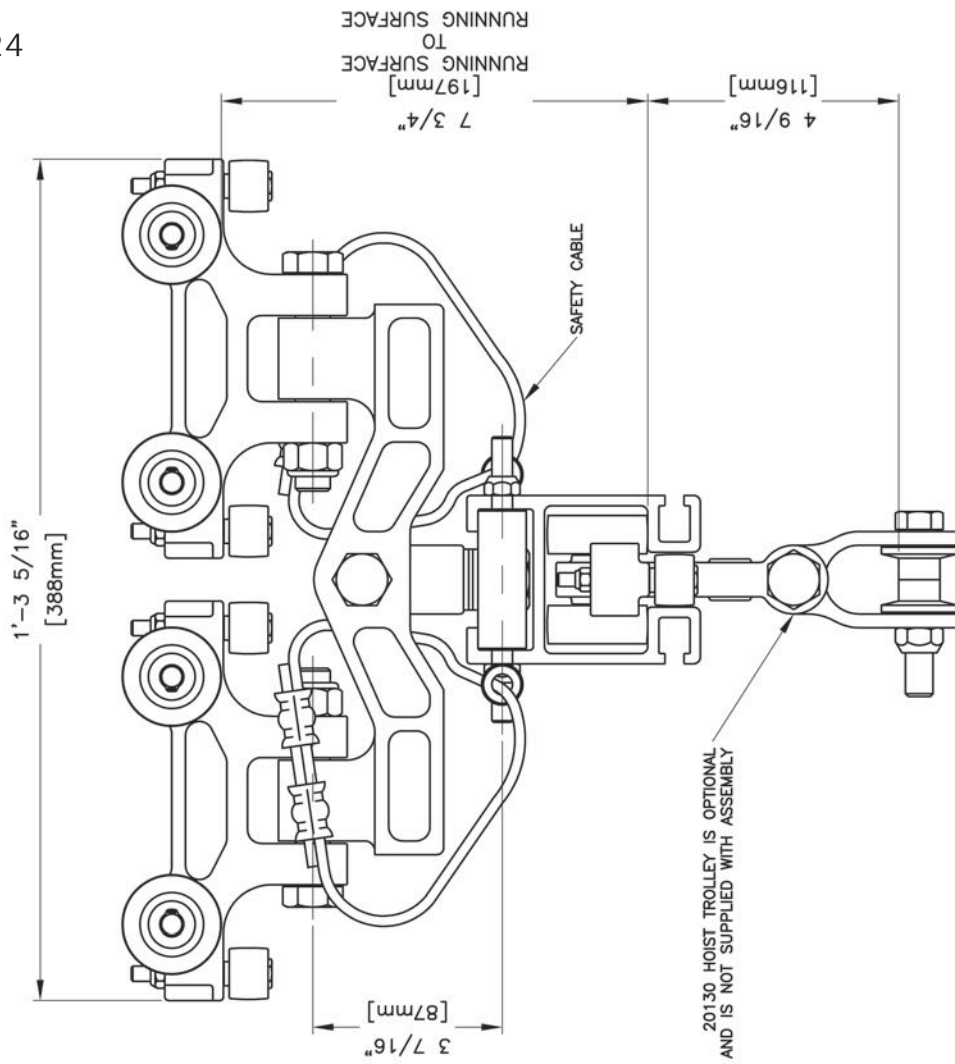
22521 ETA-4/5 SINGLE END TRUCK

- To operate on ETA-4 and ETA-5.
- Rated Load 550 lbs. (250kg)

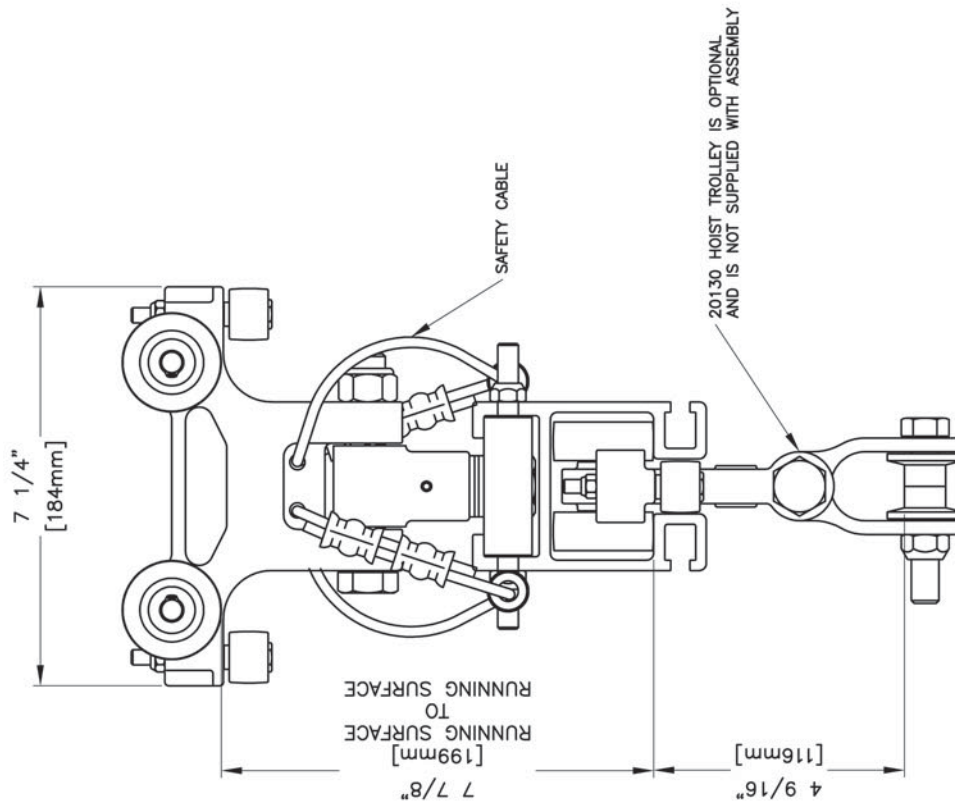


22540 ETA-4/5 DUAL END TRUCK

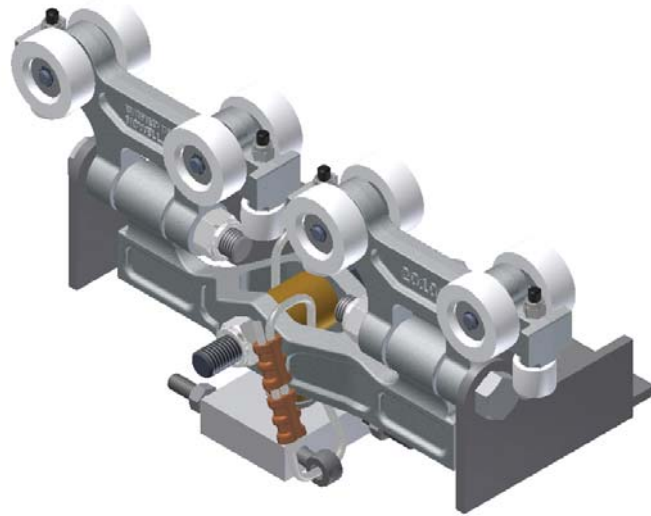
- To operate on ETA-4 and ETA-5.
- Rated Load 1100 lbs. (500 kg)



22540 DUAL END TRUCK
 DUAL TROLLEY END TRUCK AT EACH END OF CRANE GIRDER.
 RATED LOAD: 1100 lbs. [500 Kg.]
 WEIGHT: 9 lbs. [4.1 Kg.]



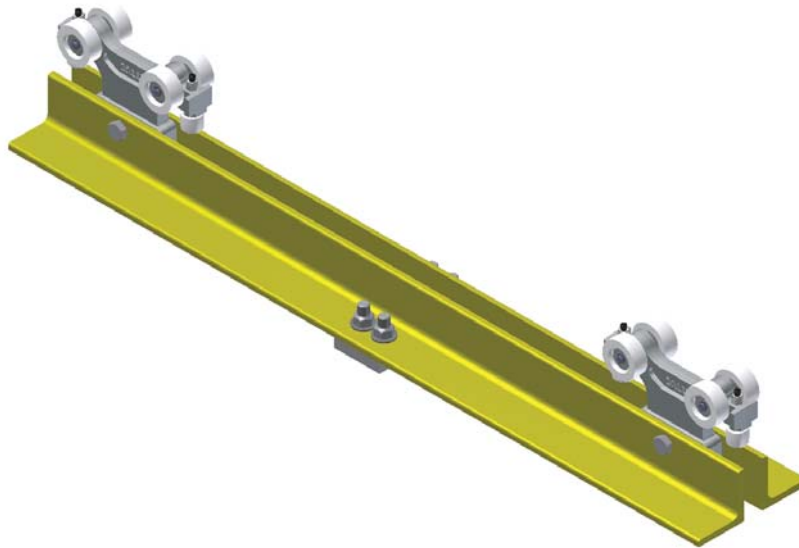
22521 SINGLE END TRUCK
 SINGLE TROLLEY END TRUCK AT EACH END OF CRANE GIRDER.
 RATED LOAD: 550 lbs. [250 Kg.]
 WEIGHT: 5 lbs. [2.3 Kg.]



- **22545** ETA-4/5 Rigid End Truck for Spans up to 18' (5.5m)
- Rated Load 1100 lbs (500kg)

Weight

15 lbs. (6.8kg)

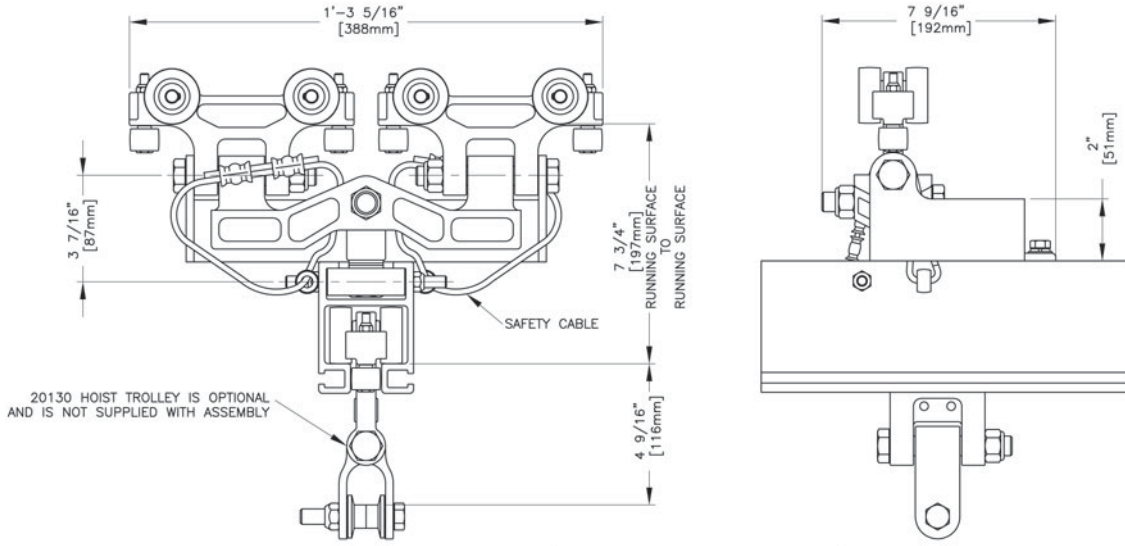


ETA-4 RIGID END TRUCK

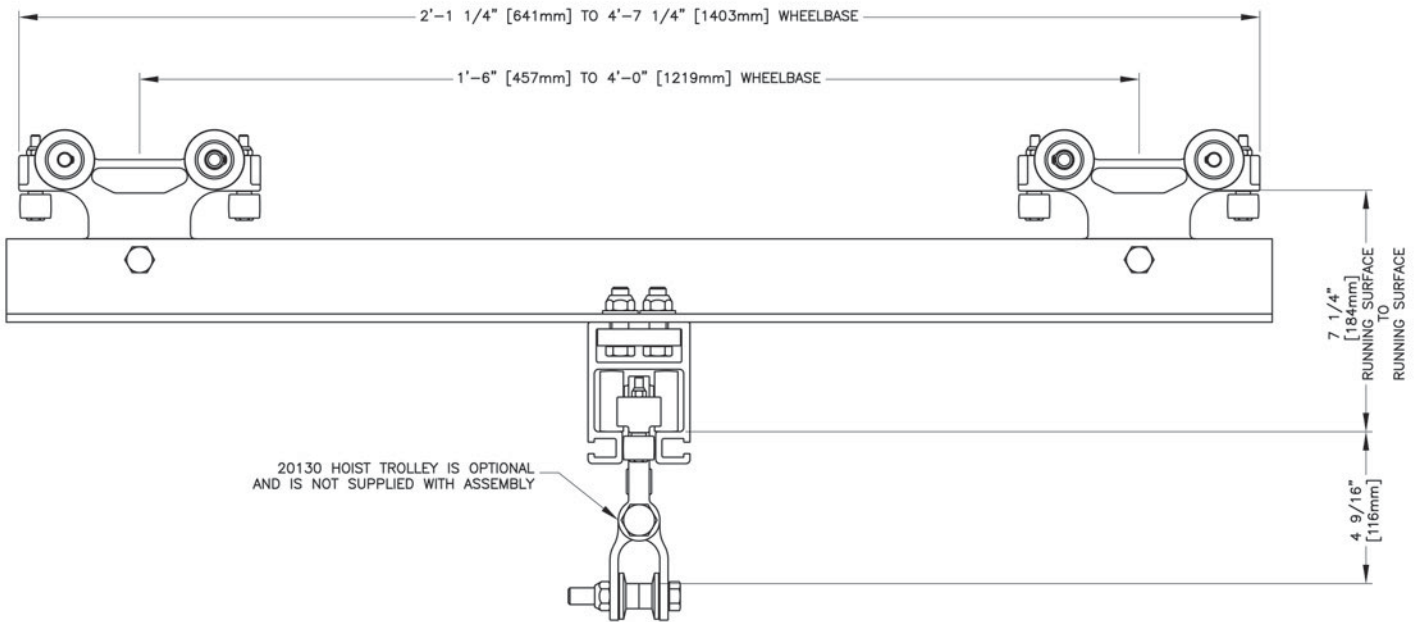
- End truck assemblies for single girder bridge cranes to run on ETA4/5 runways.
- Attaches to ETA-4, ETA-5 and ETA-8.
- **22546** 1'-6" (457mm) wheelbase for spans 2'-0" (609mm) to 5'-0" (1524mm)
- **22547** 2'-0" (609mm) wheelbase for spans 6'-0" (1829mm) to 9'-0" (2743mm)
- **22548** 2'-6" (762mm) wheelbase for spans 10'-0" (3048mm) to 13'-0" (3962mm)
- **22549** 3'-0" (914mm) wheelbase for spans 14'-0" (4267mm) to 17'-0" (5182mm)
- **22550** 3'-6" (1066mm) wheelbase for spans 18'-0" (5486mm) to 20'-0" (6096mm)
- **22551** 4'-0" (1219mm) wheelbase for spans 21'-0" (6400mm) to 25'-0" (7620mm)
- No safety cable included
- Rated Load 1100 lbs (500kg)

Weight

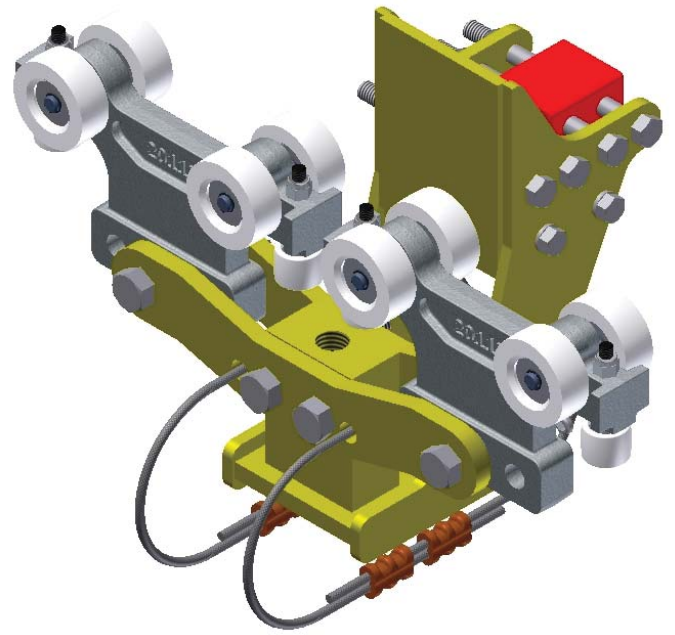
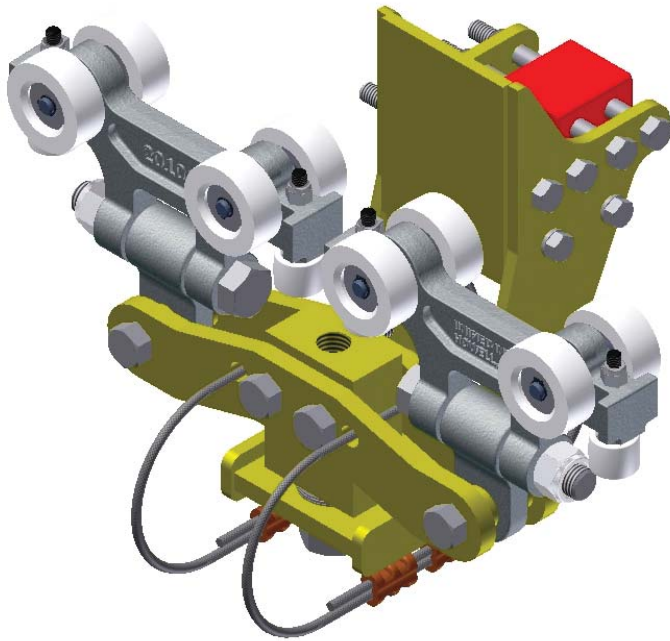
24 lbs. (10.8kg)
28 lbs. (12.7kg)
32 lbs. (14.5kg)
36 lbs. (16.3kg)
40 lbs. (18.1kg)
44 lbs. (20kg)



22545 RIGID MOUNT END TRUCK
 DUAL TROLLEY END TRUCK AT EACH END OF CRANE GIRDER.
 RATED LOAD: 1100 lbs. [500 Kg.]
 WEIGHT: 15 lbs. [6.8 Kg.]



ETA-4 RIGID END TRUCK
 DUAL TROLLEY END TRUCK AT EACH
 END OF CRANE GIRDER.
 RATED LOAD: 1100 lbs. [500 Kg.]
 NO SAFETY CABLE INCLUDED

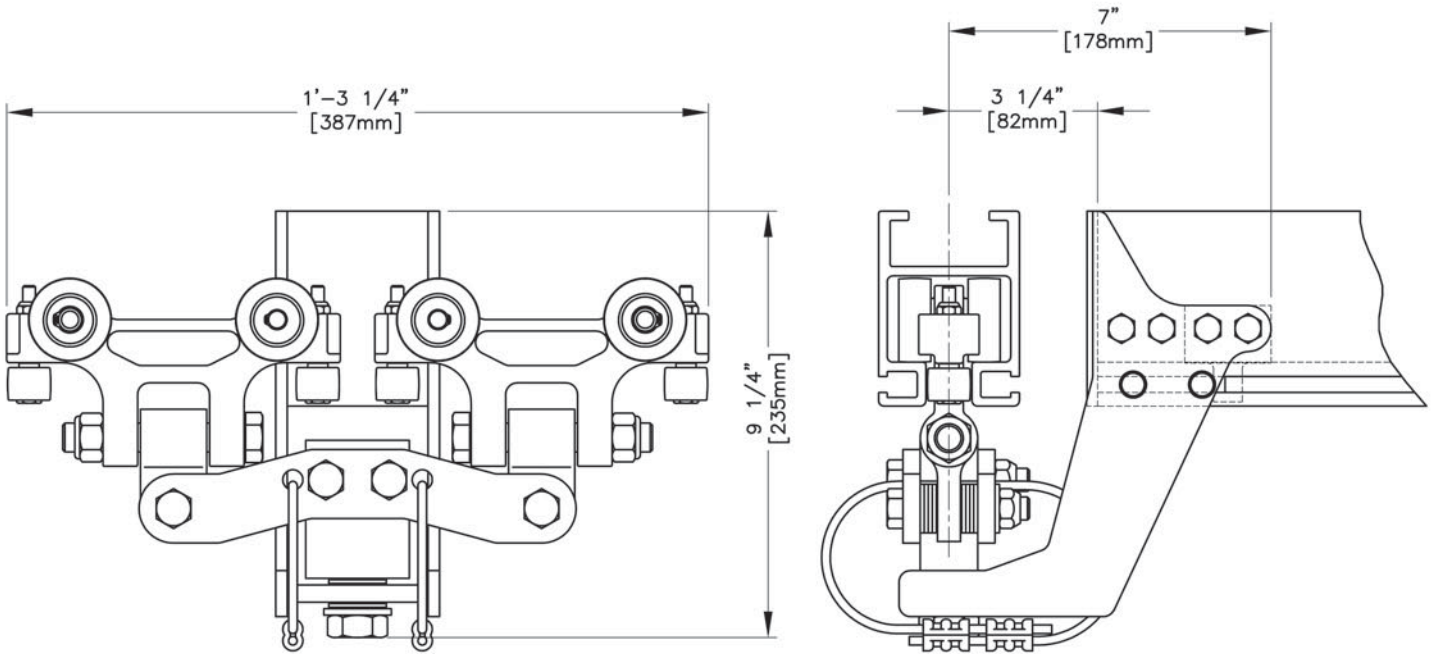


22600 ETA-4/5 Articulating Low Headroom
End Truck

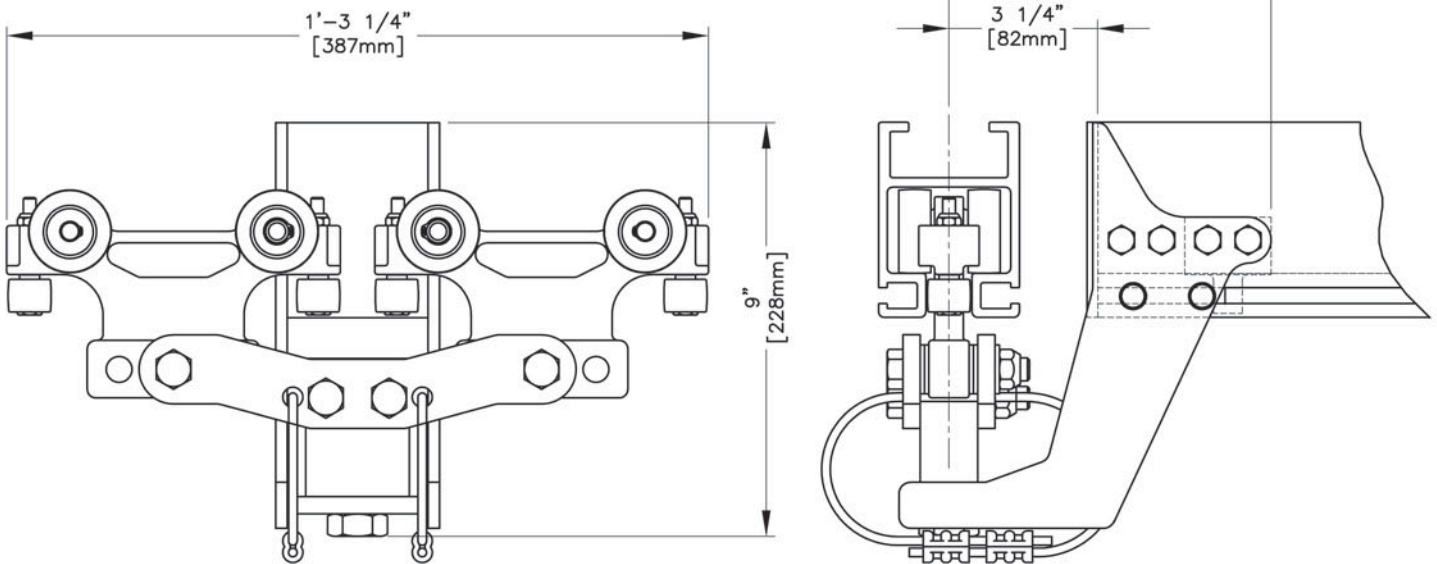
- To operate on ETA-4/5.
- Rated Load 1100 lbs. (500kg)

22605 ETA-4/5 Rigid Low Headroom
End Truck

- To operate on ETA-4/5.
- Rated Load 1100 lbs. (500kg)



22600 ETA-4/5 ARTICULATING LOW HEAD ROOM END TRUCK
 DUAL TROLLEY END TRUCK AT EACH END OF CRANE GIRDER.
 RATED LOAD: 1100 lbs. [500 Kg.]
 WEIGHT: 16 lbs. [7.3 Kg.]



22605 ETA-4/5 RIGID LOW HEAD ROOM END TRUCK
 DUAL TROLLEY END TRUCK AT EACH END OF CRANE GIRDER.
 RATED LOAD: 1100 lbs. [500 Kg.]
 WEIGHT: 13 lbs. [5.9 Kg.]



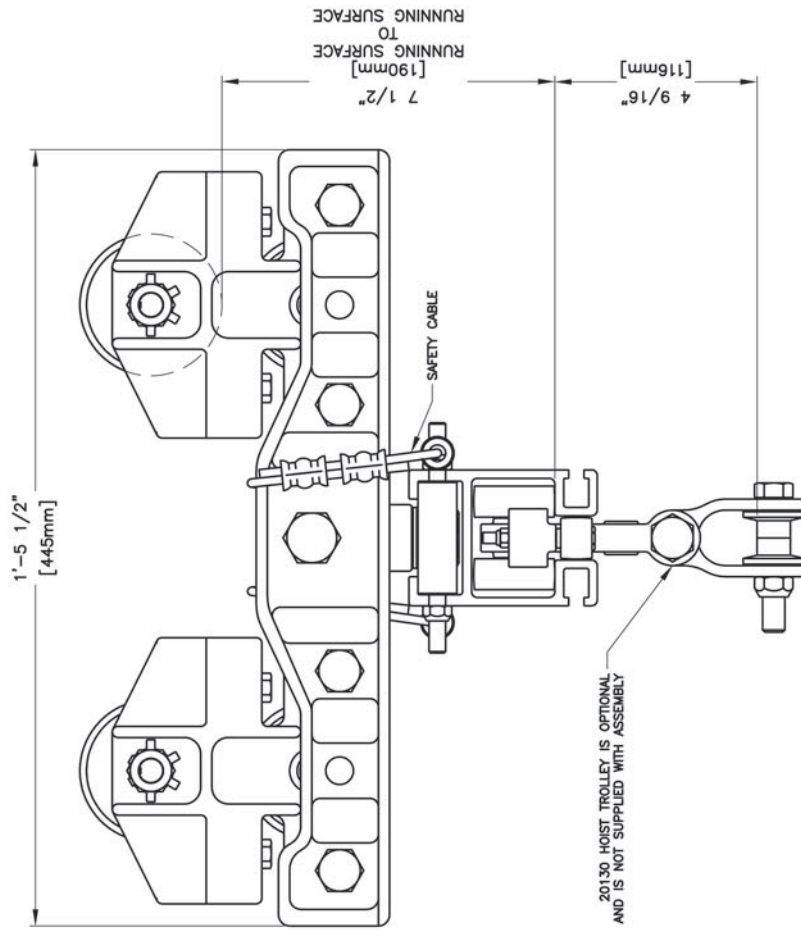
STANDARD RAIL END TRUCKS (WITHOUT KICKUP WHEELS)

- End truck assemblies for bridge cranes.
Rated Load 1100 lbs. (500kg)
- **22557** MBC-500-3-325 End Truck to run on 3.25 Patent Track.
- **22558** MBC-500-3-333 End Truck to run on S6x12.5.
- **22559** MBC-500-3-4-266 End Truck to run on S4x7.7.

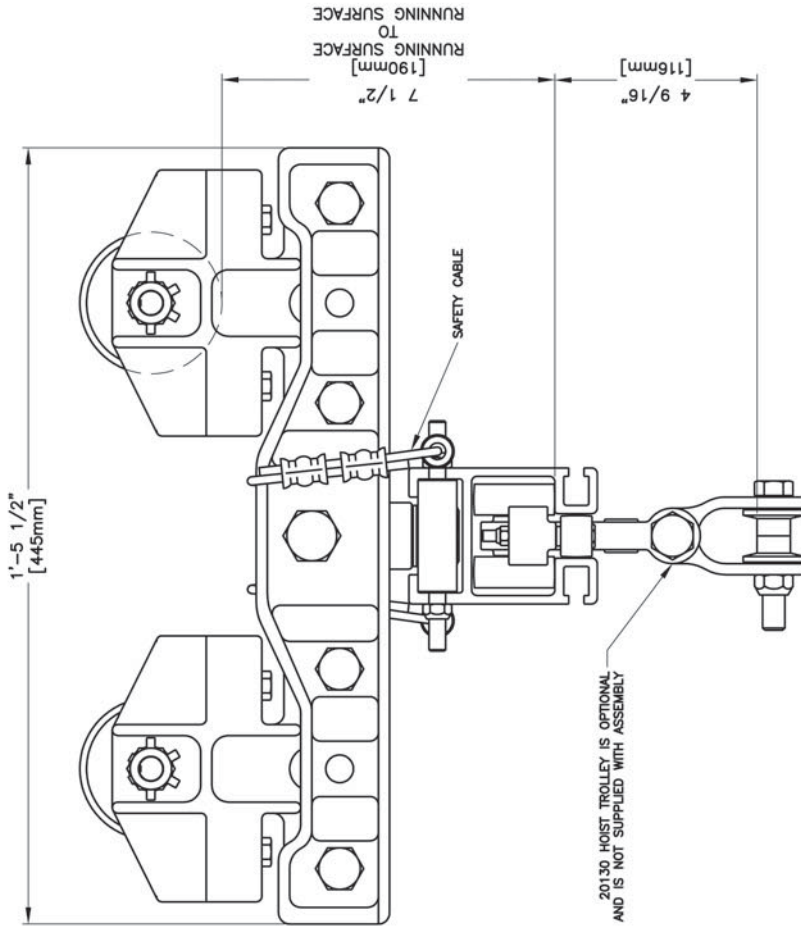
STANDARD RAIL END TRUCKS (WITH KICKUP WHEELS)

- End truck assemblies for bridge cranes.
Rated Load 1100 lbs. (500kg)
- **22574** MBC-500-3-325 End Truck to run on 3.25 Patent Track.
- **22575** MBC-500-3-333 End Truck to run on S6x12.5.
- **22576** MBC-500-3-4-266 End Truck to run on S4x7.7.

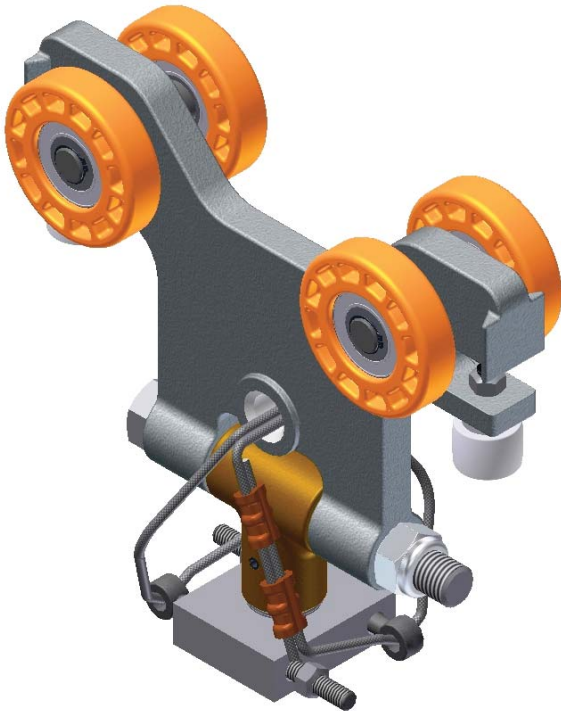
- Note: Consult factory for end trucks that need to ride on metric beams.



END TRUCKS (WITH KICKUP WHEELS)
 DUAL TROLLEY END TRUCK AT EACH END OF CRANE GIRDER.
 RATED LOAD: 1100 lbs. [500 Kg.]
 22574 MBC-500-3-325 END TRUCK TO RUN ON 3.25 PATENT TRACK.
 22575 MBC-500-3-333 END TRUCK TO RUN ON S6x12.5.
 22576 MBC-500-3-4-2.66 END TRUCK TO RUN ON S4x7.7.
 WEIGHT: 35 LBS. [15.9 Kg.]

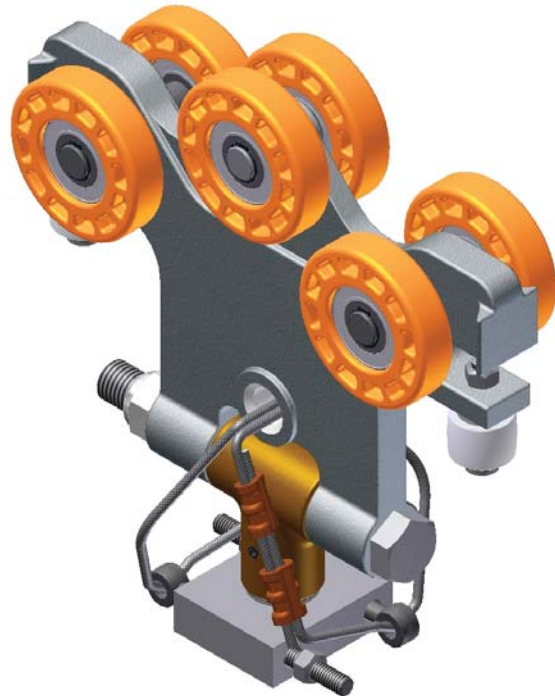


END TRUCKS (WITHOUT KICKUP WHEELS)
 DUAL TROLLEY END TRUCK AT EACH END OF CRANE GIRDER.
 RATED LOAD: 1100 lbs. [500 Kg.]
 22557 MBC-500-3-325 END TRUCK TO RUN ON 3.25 PATENT TRACK.
 22558 MBC-500-3-333 END TRUCK TO RUN ON S6x12.5.
 22559 MBC-500-3-4-2.66 END TRUCK TO RUN ON S4x7.7.
 WEIGHT: 32 LBS. [14.5 Kg.]



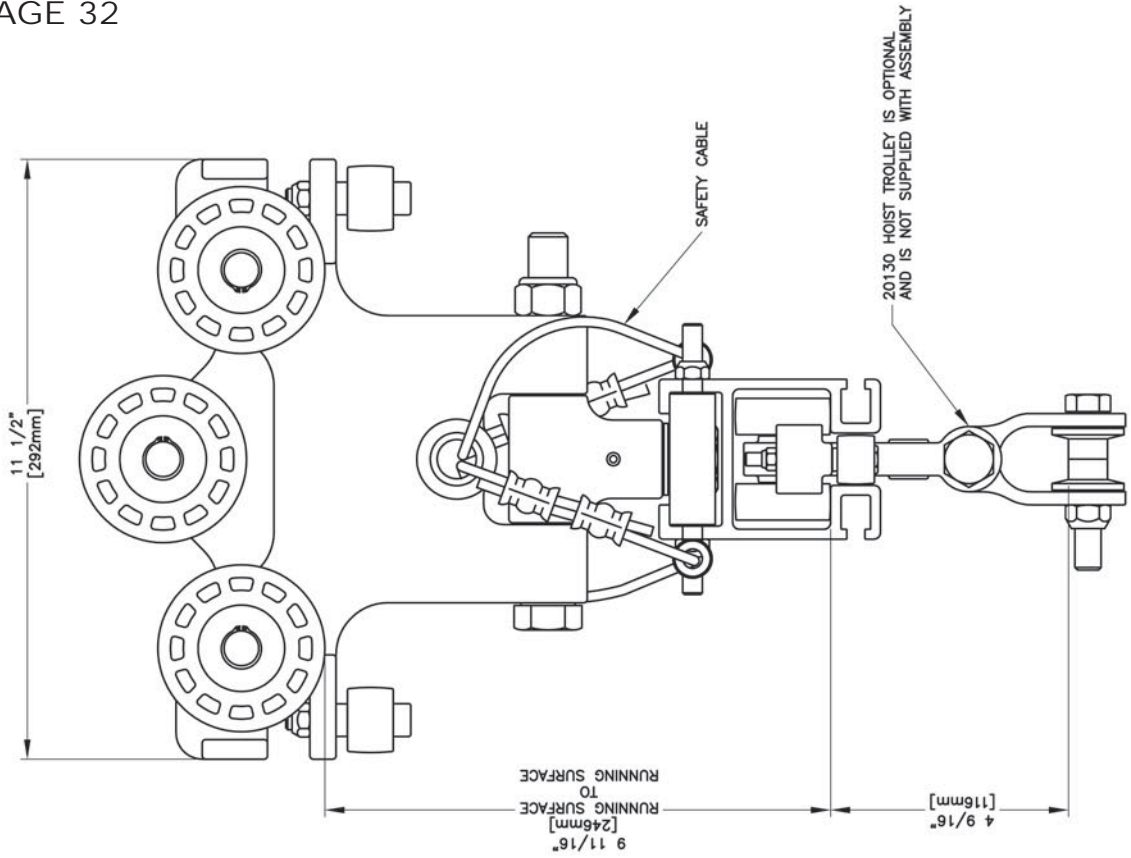
22039 ETA-4/5 SINGLE END TRUCK
(WITHOUT KICKUP WHEELS)

- To run on ETA-8 runway.
- Rated Load 1100 lbs. (500kg)

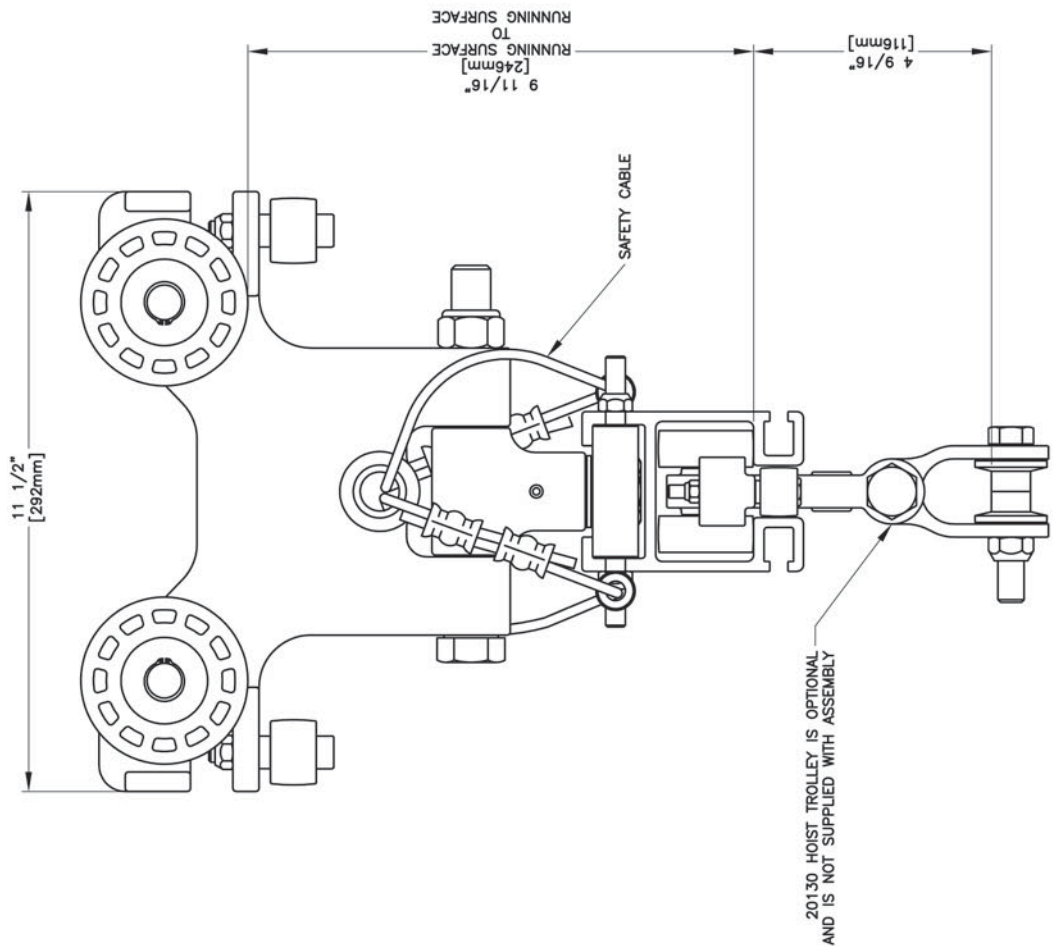


22047 ETA-4/5 SINGLE END TRUCK
(WITH KICKUP WHEELS)

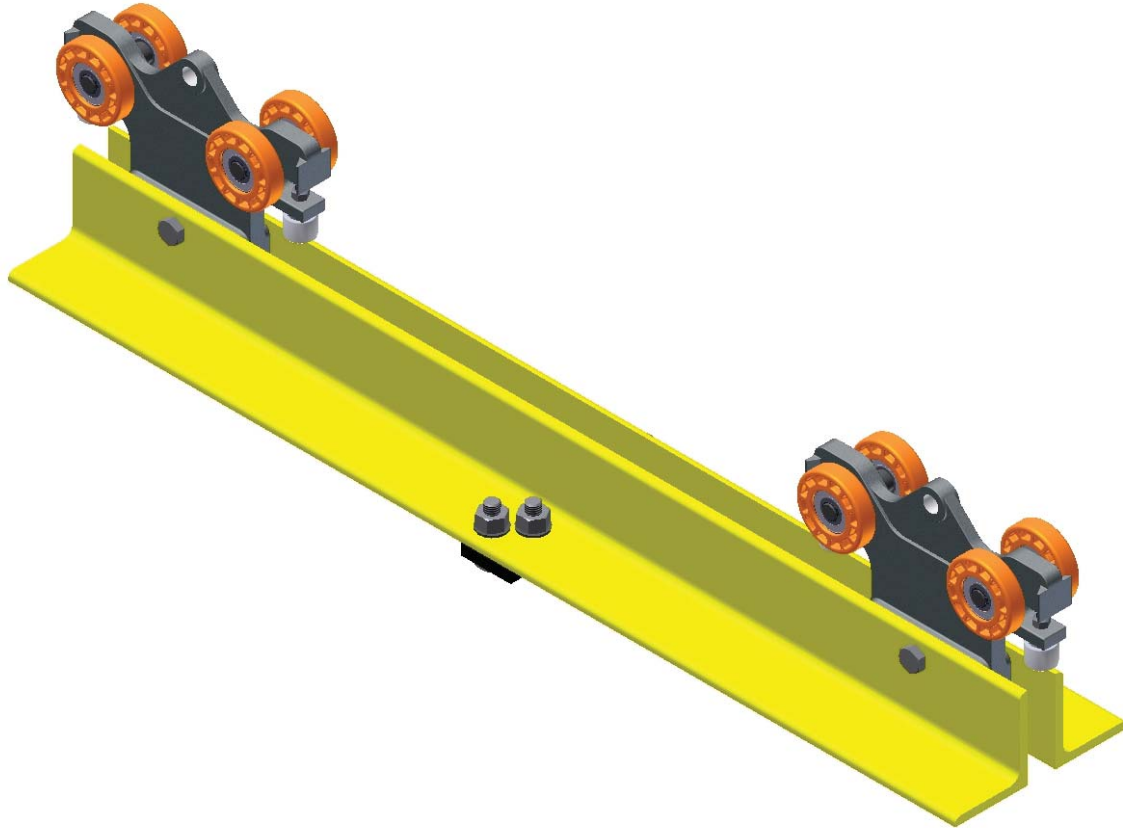
- To run on ETA-8 runway.
- Rated Load 1100 lbs. (500kg)



22047 SINGLE END TRUCK (WITH KICKUP WHEELS)
 RATED LOAD: 1100 lbs. [500 kg.]
 SINGLE END TRUCK AT EACH END OF AN ETA-4 CRANE ORDER TO RUN ON ETA-8 RUNWAY.
 WEIGHT: 14 LBS. [6.4 kg.]



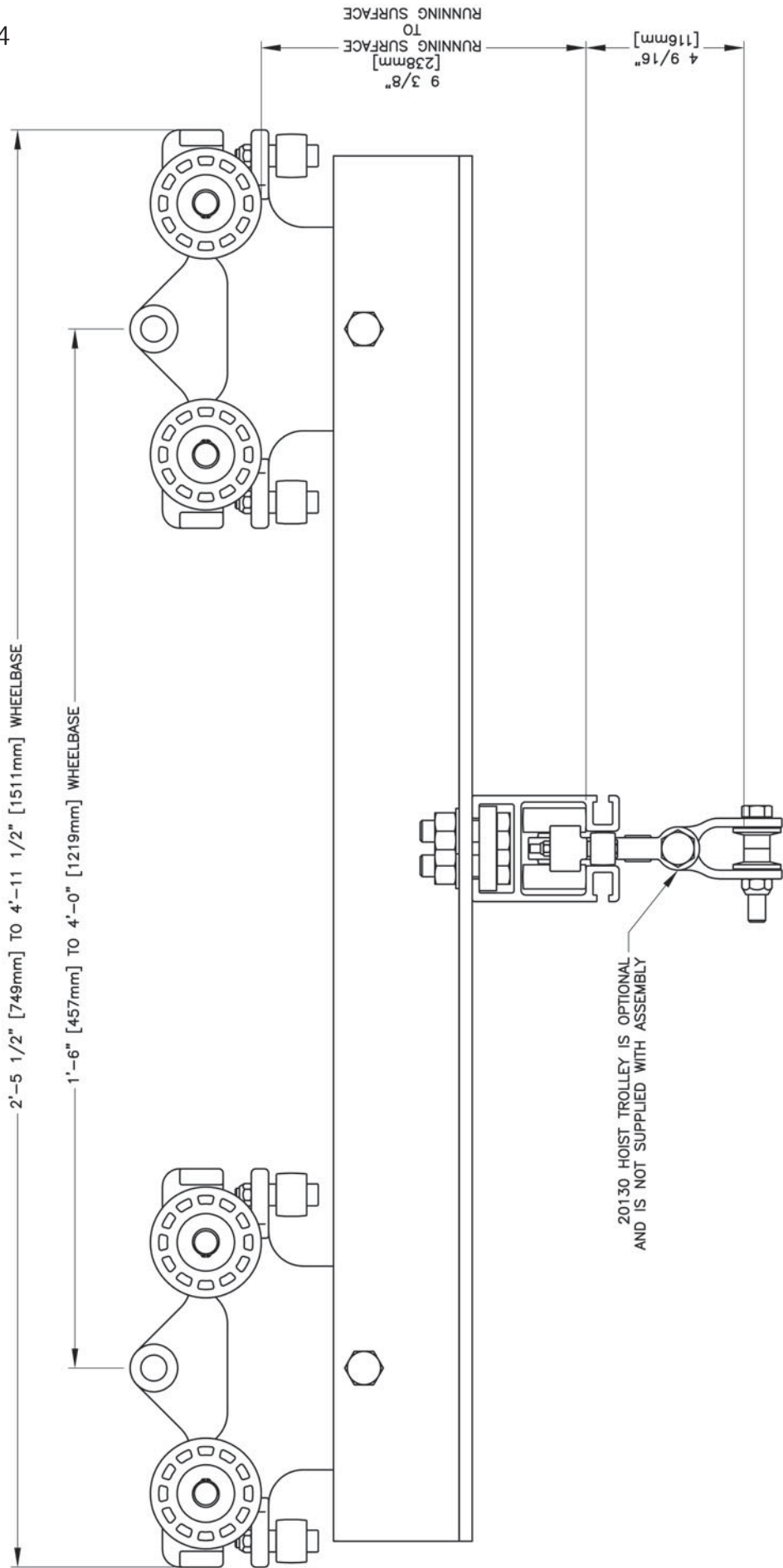
22039 SINGLE END TRUCK (WITHOUT KICKUP WHEELS)
 RATED LOAD: 1100 lbs. [500 kg.]
 SINGLE END TRUCK AT EACH END OF AN ETA-4 CRANE ORDER TO RUN ON ETA-8 RUNWAY.
 WEIGHT: 12 LBS. [5.4 kg.]



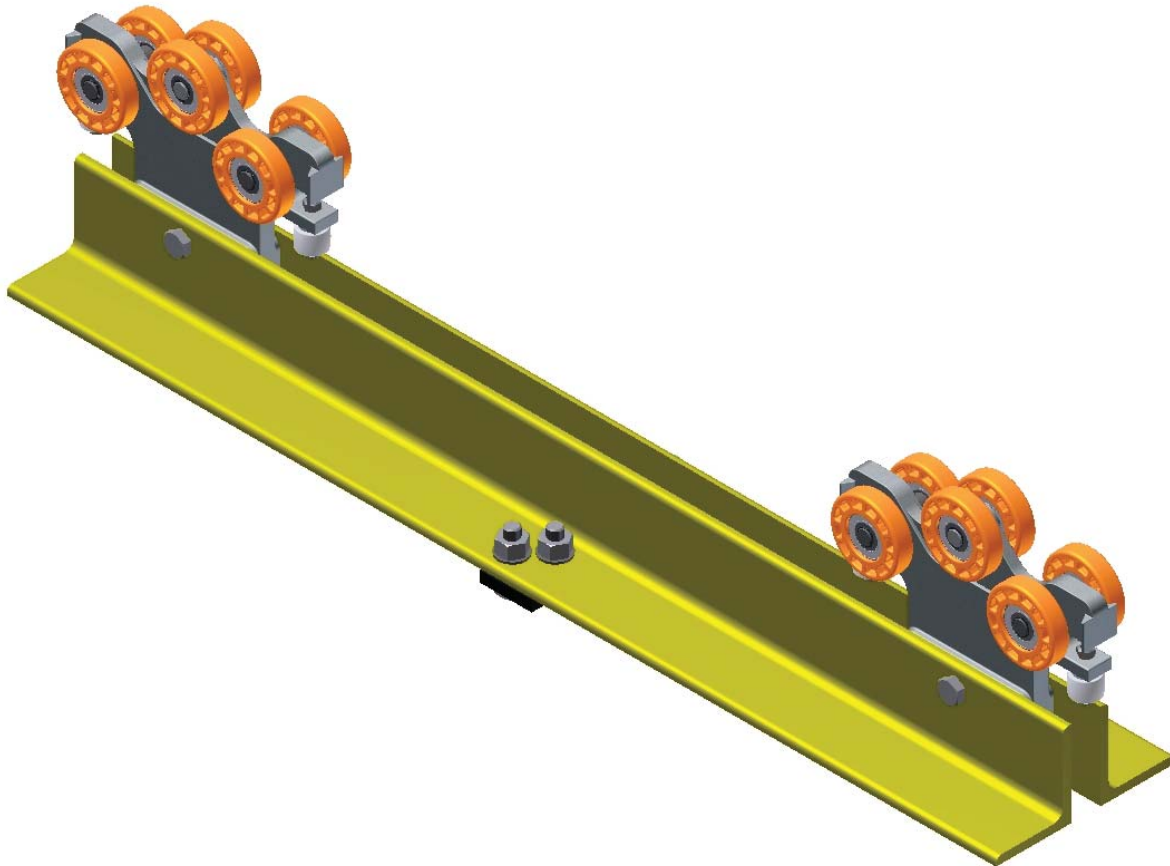
ETA-8 RIGID END TRUCKS WITHOUT KICKUP

- End truck assemblies for single girder bridge cranes to run on ETA-8 Runway.
- Attaches to ETA-4, ETA-5, and ETA-8 Bridges.

	Weight
■ 22221 1'-6" (457mm) wheelbase for spans 3'-0" (914mm) to 6'-0" (1829mm)	61 lbs. (27.6kg)
■ 22222 2'-0" (609mm) wheelbase for spans 7'-0" (2133mm) to 10'-0" (3048mm)	70 lbs. (32kg)
■ 22223 2'-6" (762mm) wheelbase for spans 11'-0" (3353mm) to 14'-0" (4267mm)	79 lbs. (35.8kg)
■ 22224 3'-0" (914mm) wheelbase for spans 15'-0" (4572mm) to 18'-0" (5486mm)	88 lbs. (40kg)
■ 22225 3'-6" (1066mm) wheelbase for spans 19'-0" (5791mm) to 21'-0" (6400mm)	98 lbs. (44.5kg)
■ 22226 4'-0" (1219mm) wheelbase for spans 22'-0" (6705mm) to 25'-0" (7620mm)	107 lbs. (48.5kg)
■ Rated Load 2200 lbs. (1000kg)	
■ No safety cable included	



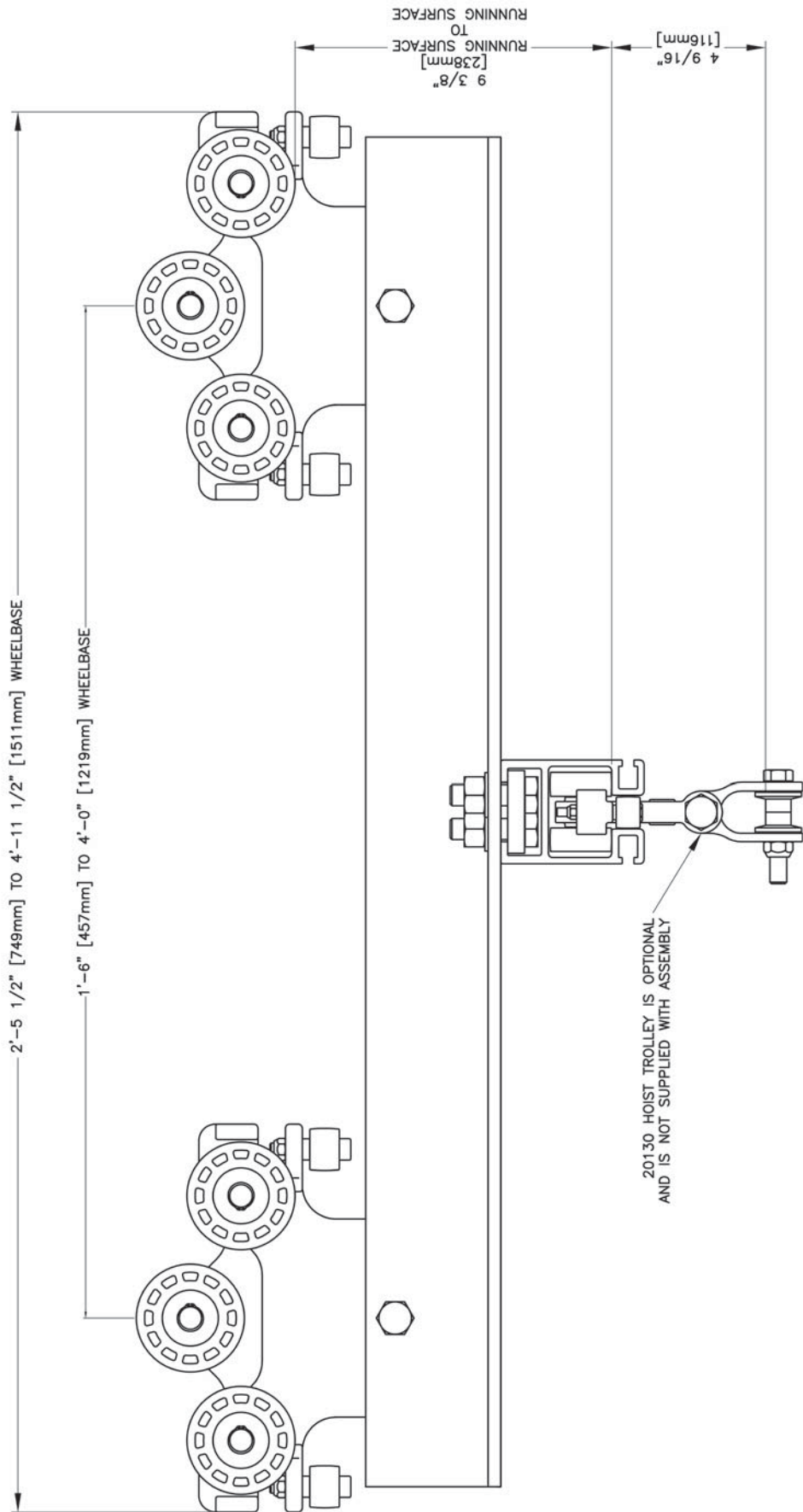
ETA-8 RIGID END TRUCK WITHOUT KICKUP
 DUAL TROLLEY END TRUCK AT EACH
 END OF CRANE GIRDER.
 RATED LOAD: 2200 lbs. [1000 Kg.]
 NO SAFETY CABLE INCLUDED



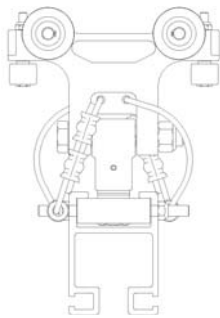
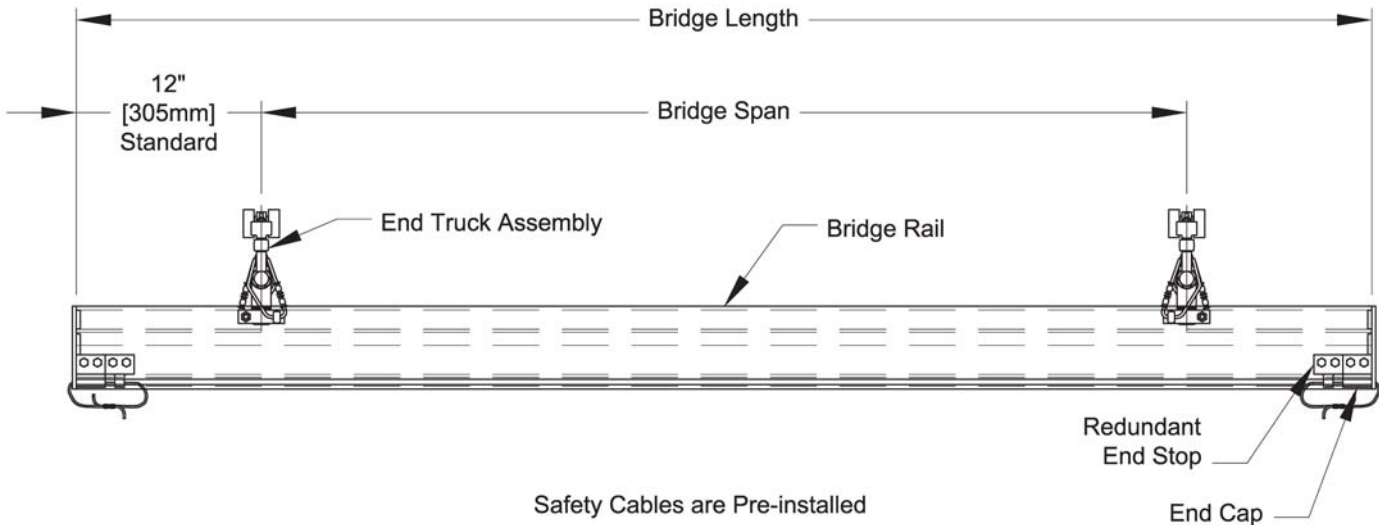
ETA-8 RIGID END TRUCKS WITH KICKUP

- End truck assemblies for single girder bridge cranes to run on ETA-8 Runway.
- Attaches to ETA-4, ETA-5, and ETA-8 Bridges.

	Weight
■ 22227 1'-6" (457mm) wheelbase for spans 3'-0" (914mm) to 6'-0" (1829mm)	63 lbs. (28.5kg)
■ 22228 2'-0" (609mm) wheelbase for spans 7'-0" (2133mm) to 10'-0" (3048mm)	72 lbs. (32.6kg)
■ 22229 2'-6" (762mm) wheelbase for spans 11'-0" (3353mm) to 14'-0" (4267mm)	81 lbs. (36.7kg)
■ 22230 3'-0" (914mm) wheelbase for spans 15'-0" (4572mm) to 18'-0" (5486mm)	90 lbs. (40.8kg)
■ 22231 3'-6" (1066mm) wheelbase for spans 19'-0" (5791mm) to 21'-0" (6400mm)	99 lbs. (45kg)
■ 22232 4'-0" (1219mm) wheelbase for spans 22'-0" (6705mm) to 25'-0" (7620mm)	108 lbs. (49kg)
■ Rated Load 2200 lbs. (1000kg)	
■ No safety cable included	



ETA-8 RIGID END TRUCK WITH KICKUP
DUAL TROLLEY END TRUCK AT EACH
END OF CRANE GIRDER.
RATED LOAD: 2200 lbs. [1000 Kg.]
NO SAFETY CABLE INCLUDED



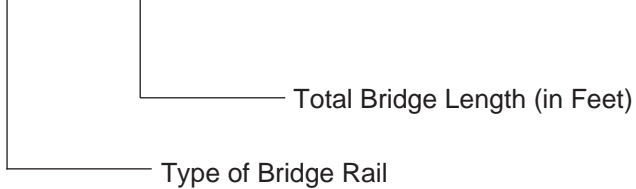
The Bridge Crane Assembly Consists of:

- One bridge beam (section of rail)
- Two end truck assemblies (mounted to the bridge with a trolley to roll inside of the runway, safety cables are pre-installed)
- Double end stop Assembly (Ull Standard)

Example (Bridge Rail only)

Order Number:

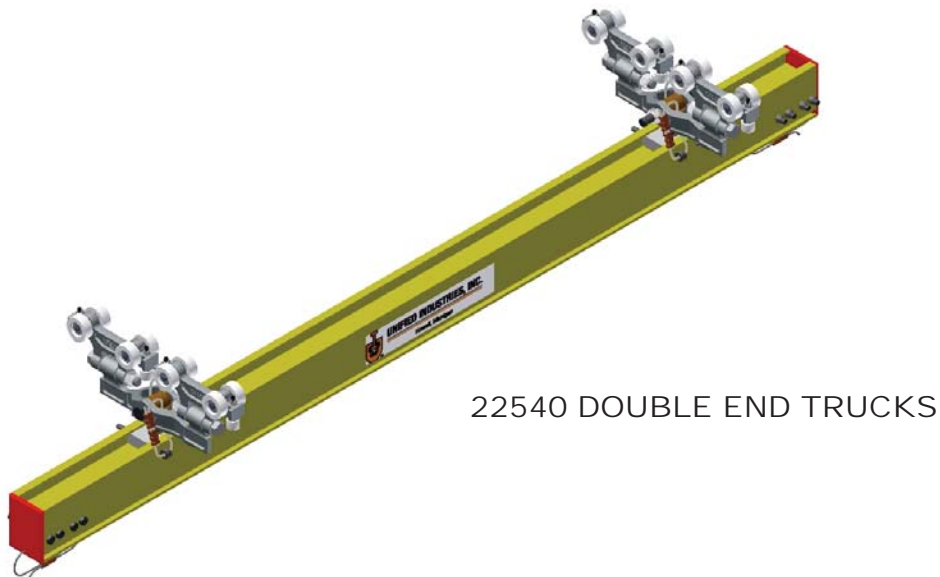
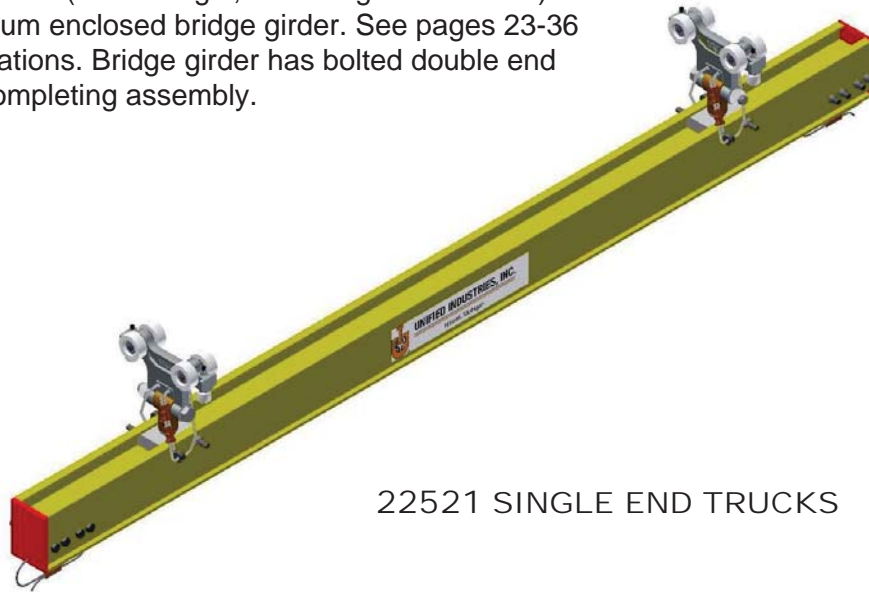
ETA4|BR|08



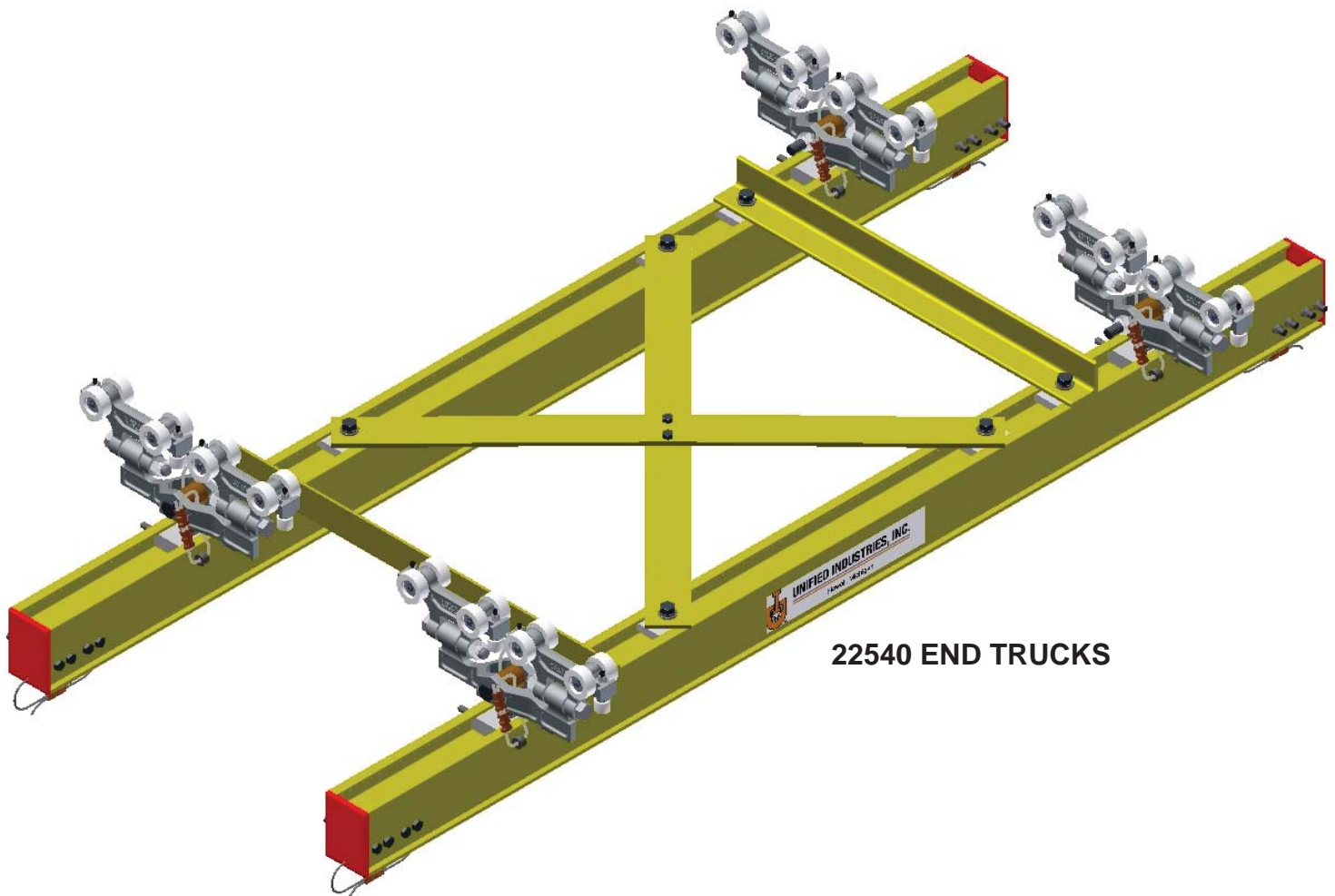
- Round up to the nearest foot (Cut to 8'-6" = ETA4BR09)



Unified ETA-4 single girder bridge crane consists of two end truck assemblies (either single, dual or rigid end trucks) supporting an aluminum enclosed bridge girder. See pages 23-36 for end truck specifications. Bridge girder has bolted double end stops at each end, completing assembly.



- Standard overhang each end 12" (305mm)
- Longer overhangs consult Factory
- Paint color-specify when ordering
- Standard double end stops

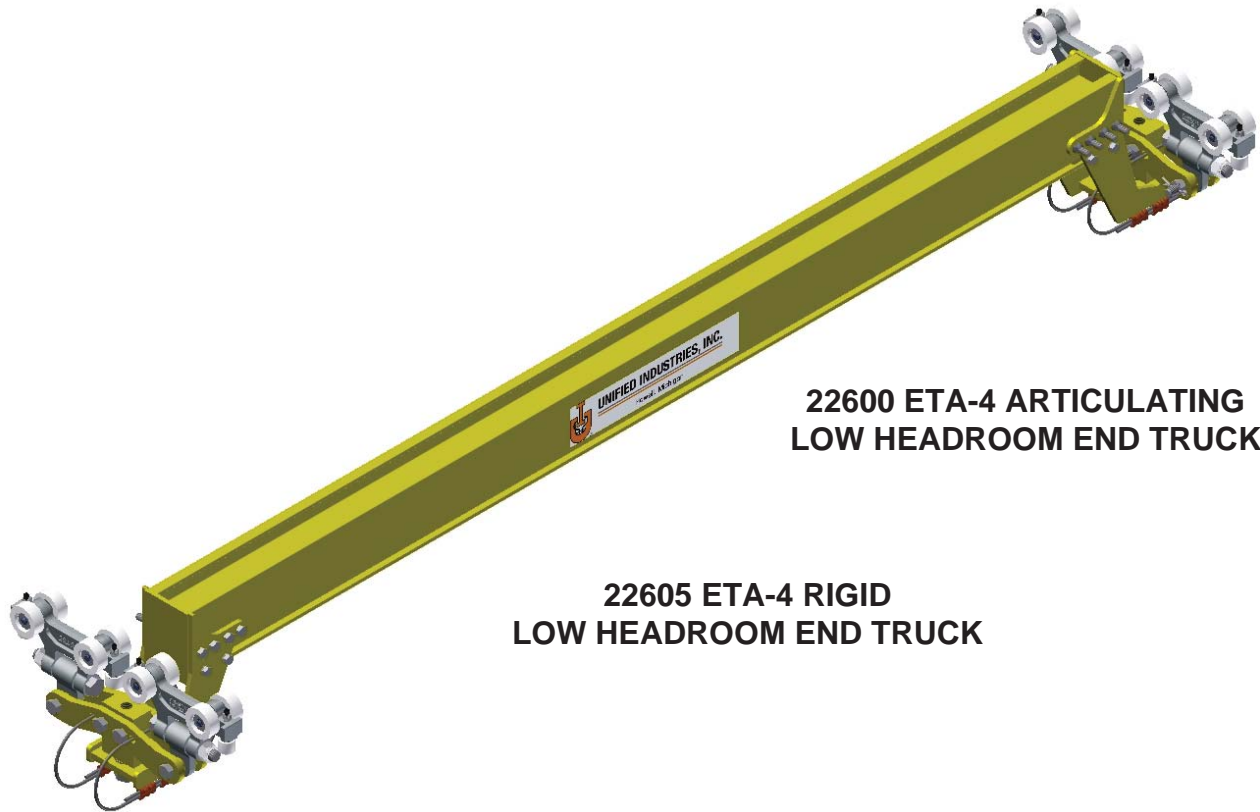


22540 END TRUCKS

ETA-4 double girder bridge cranes consist of four single or dual trolley end truck assemblies supporting ETA-4 extruded aluminum bridge girders. See page 23-36 for end truck specifications. Bridge girder has bolted polyurethane end caps at each end, completing assembly.

Used for suspending hoists, nut runners, indexing fixtures, mechanical grabs, etc.

- Diagonal bracing to prohibit articulation
- 12" (305mm) standard overhang
- Air line festoon kits available. See page 48 for specifications
- Festoon trolley available, see page 18 & 19
- Paint color - specify when ordering
- Double end stops standard
- Longer overhangs consult factory

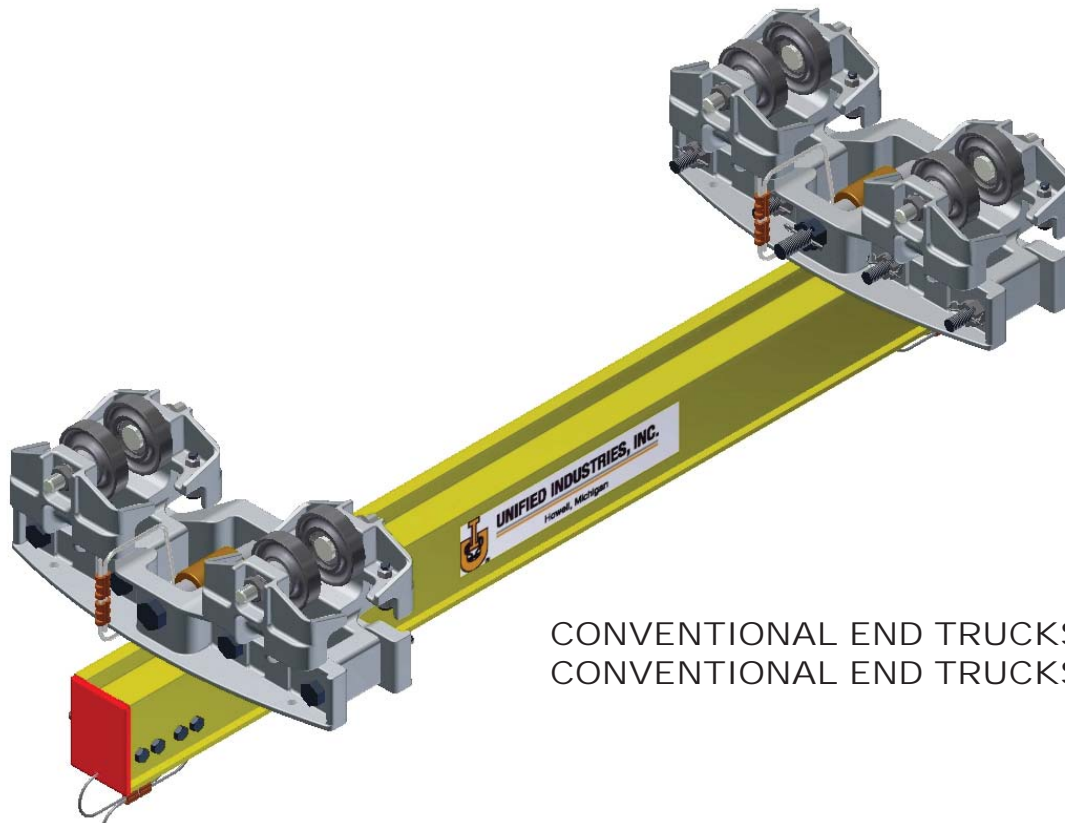


**22600 ETA-4 ARTICULATING
LOW HEADROOM END TRUCK**

**22605 ETA-4 RIGID
LOW HEADROOM END TRUCK**

Unified ETA-4 single girder low headroom bridge crane consists of two end truck assemblies supporting an aluminum enclosed bridge girder. Bridge girder and runway girder are held at the same elevation with bolted construction and a neoprene bumper at each end completing the assembly.

- Increased headroom in low areas
- Paint color - specify when ordering
- Air festooning brackets and kits are available
- Small tool, festoon trolley or tag line slider available.
- Overhangs are not available



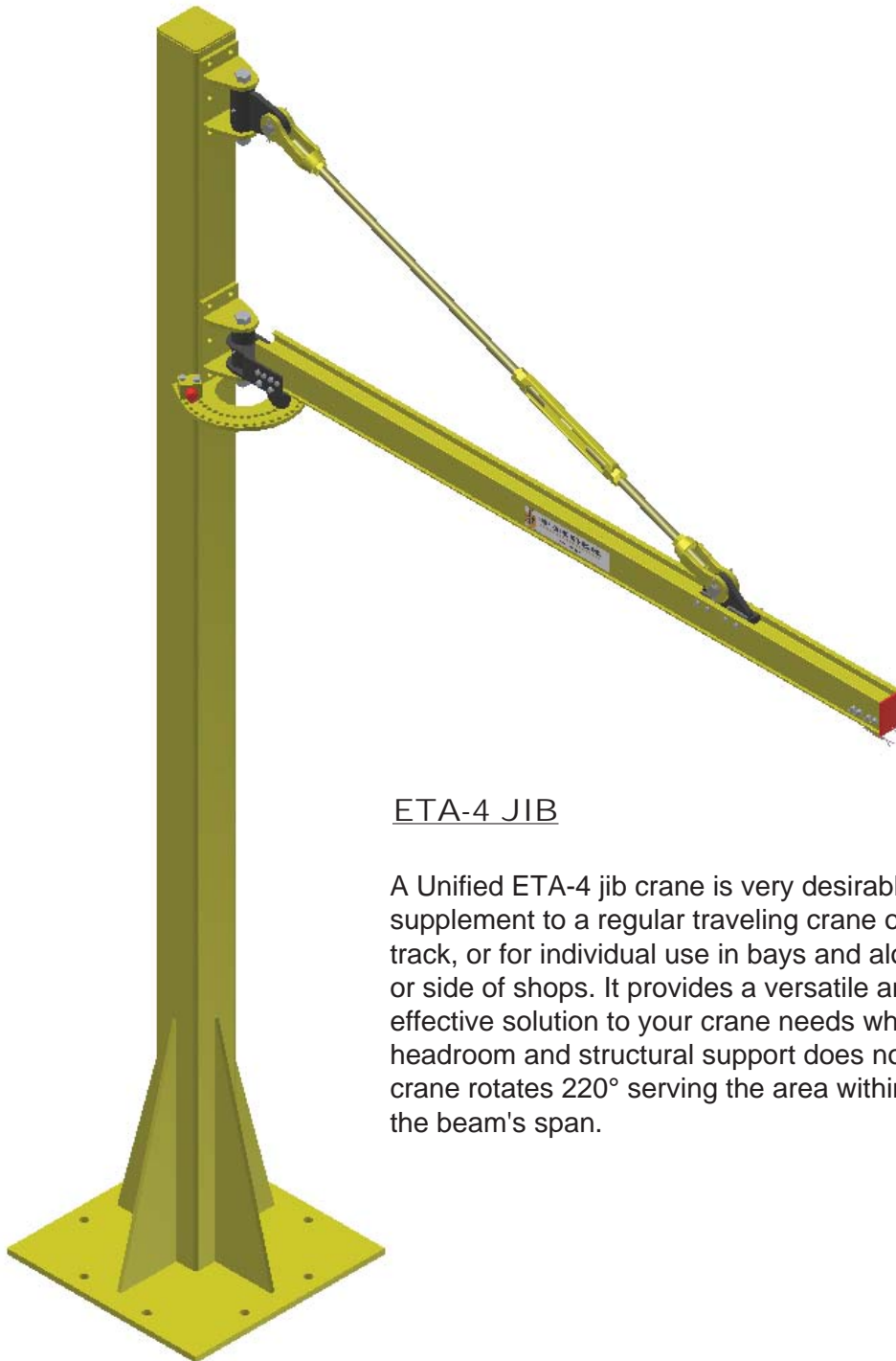
CONVENTIONAL END TRUCKS (W/O KICK-UP)
CONVENTIONAL END TRUCKS (KICK-UP)

Designed Specifically For Existing Runway Systems

- **22557** end truck assembly MBC-500-3-325 without kickup wheel for operation on 3.25 or 3.33 flat rail. Rated Load 1100 lbs. (500kg)
- **22558** end truck assembly MBC-500-3-333 without kickup wheel for operation on S6x12.5. Rated Load 1100 lbs. (500kg)
- **22559** end truck assembly MBC-500-3-4-266 without kickup wheel for operation on S4x7.7. Rated Load 1100 lbs. (500kg)
- **22574** end truck assembly MBC-500-3-325 with kickup wheel for operation on 3.25 or 3.33 flat rail. Rated Load 1100 lbs. (500kg)

Note: For Metric size beams consult factory.

- **22575** end truck assembly MBC-500-3-333 with kickup wheel for operation on S6x12.5. Rated Load 1100 lbs. (500kg)
- **22576** end truck assembly MBC-500-3-4-266 without kickup wheel for operation on S4x7.7. Rated Load 1100 lbs. (500kg)
- Self aligning end trucks
- High tensile almag alloy castings make up end truck assembly
- Counter thrust trolleys for countering extended loads are available
- Low inertia: 1-2% of load
- Paint color-specify when ordering
- Double end stops standard
- Optional rigid mount bracket
- Longer overhangs consult factory

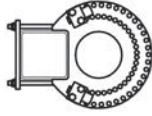


ETA-4 JIB

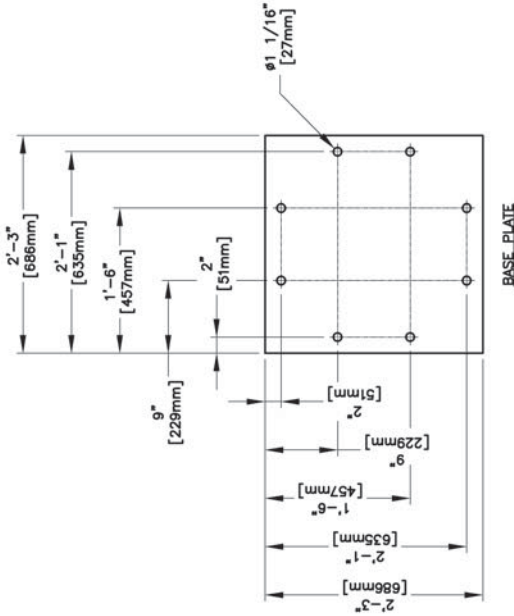
A Unified ETA-4 jib crane is very desirable as a supplement to a regular traveling crane or monorail track, or for individual use in bays and along the walls or side of shops. It provides a versatile and cost-effective solution to your crane needs where adequate headroom and structural support does not exist. The jib crane rotates 220° serving the area within the radius of the beam's span.



98535 6" JIB COLUMN INDEX_STOP_ASSEMBLY

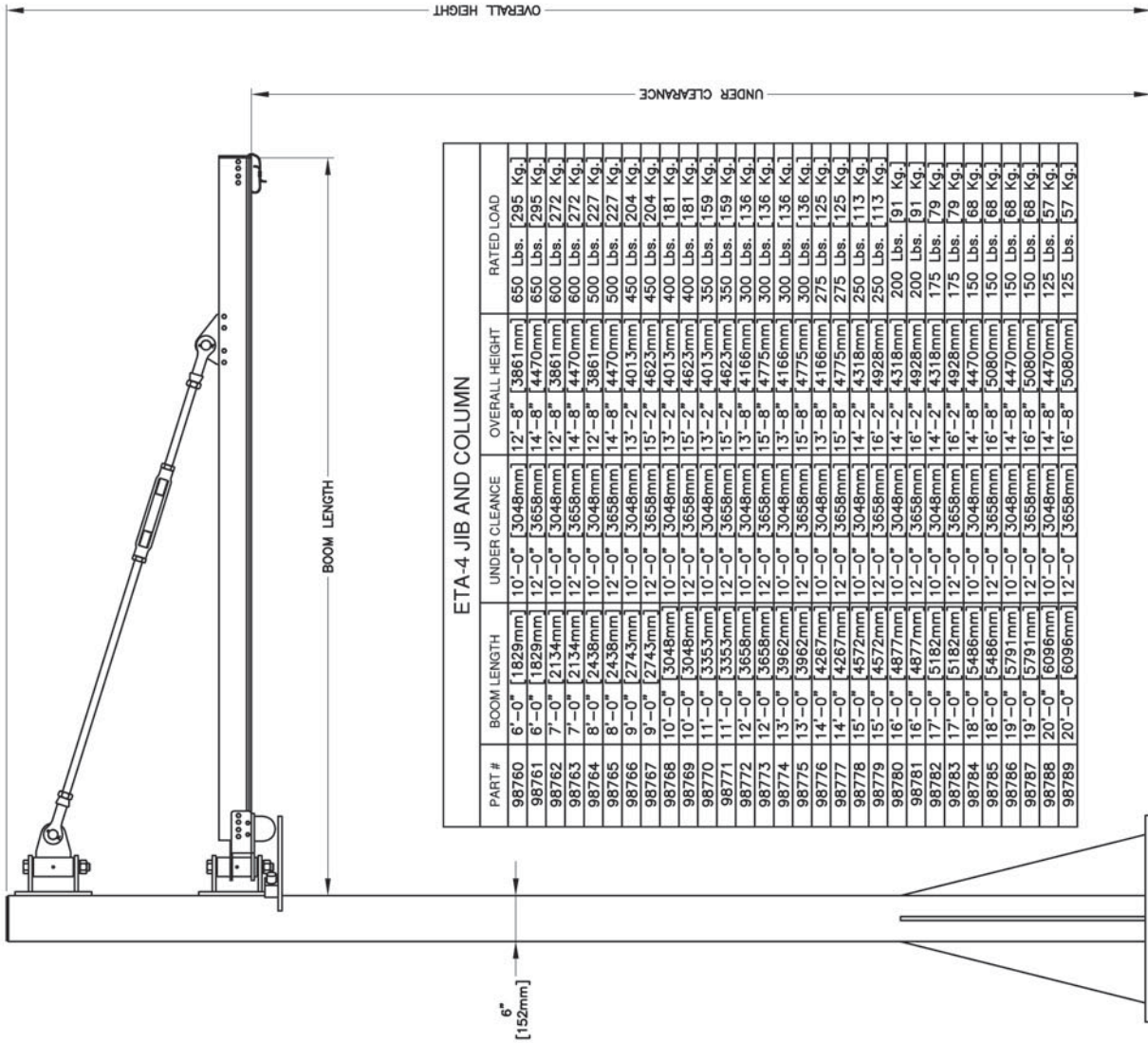


98536 6" BOLTED JIB COLUMN INDEX_STOP_ASSEMBLY

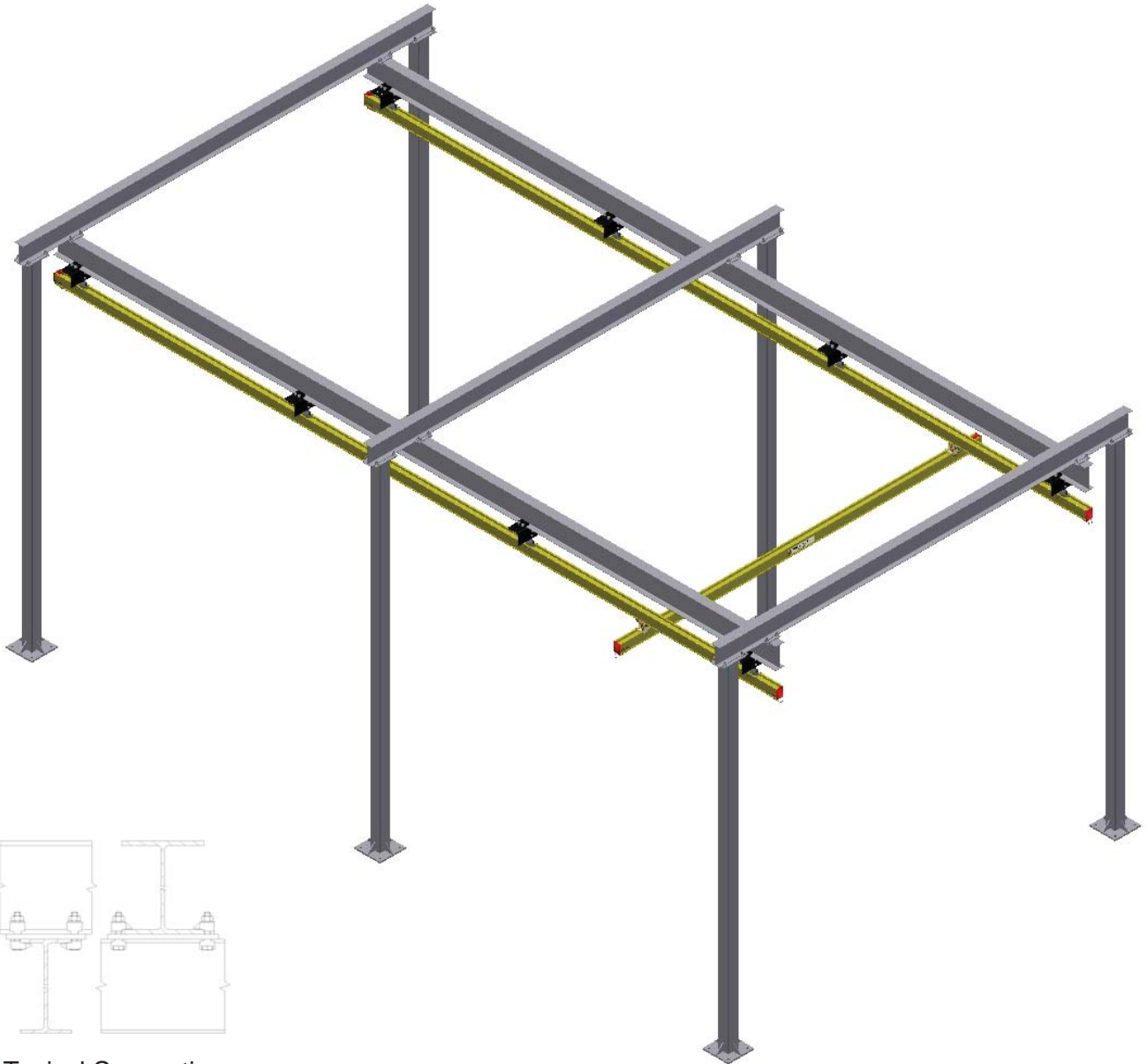


TEST LOAD SHALL NOT BE MORE THAN 120% OF THE RATED LOAD UNLESS RECOMMENDED BY THE MANUFACTURER. COLUMN SHALL NOT BE LOADED BEYOND IT'S RATED LOAD CAPACITY EXCEPT FOR TEST PURPOSES.

NOTES:
 1. CONSULT FACTORY FOR UNDERCLEARANCES MORE THAN 12'-0" (3658mm).
 2. THE MINIMUM ANCHOR REQUIREMENT IS A #5/8" (20mm) WEDGE TYPE ANCHOR BOLT WITH 3 1/4" (30mm) STANDING EMBEDMENT IN 6" (152mm) 3000 PSI (2070 N/cm²) CONCRETE.



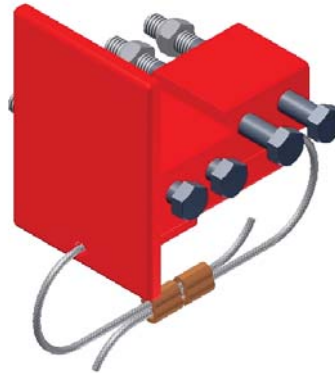
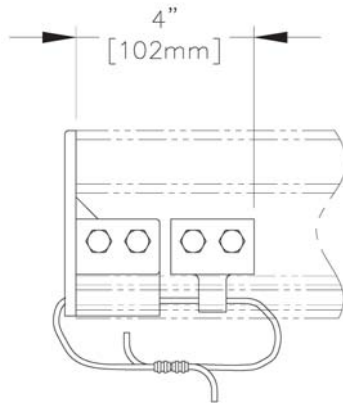
Note: Rated Loads above 550lbs require a Dual Hoist Trolley



Typical Connection

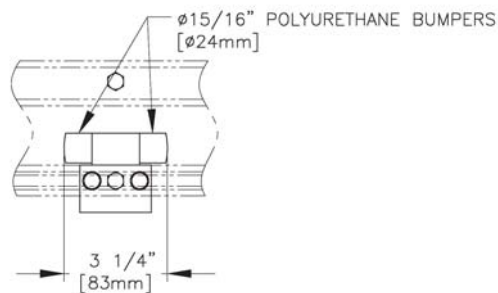
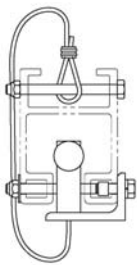
FREE STANDING FLOOR SUPPORT STRUCTURES

- Designed & engineered to each application.
- Floor supports do not require bracing to existing structures.
- P.E. certification optional.
- Paint to customer color specification.

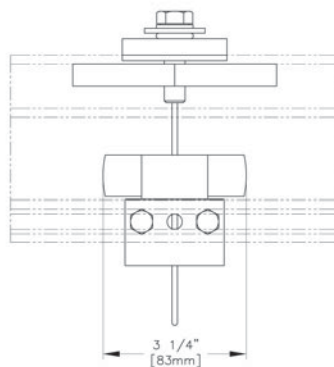
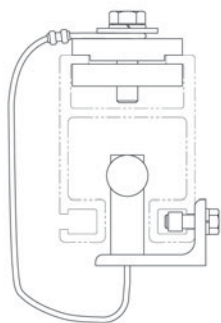


24900 ETA-4 POLY DOUBLE END CAP ASSEMBLY Weight 1 lb (.45kg)

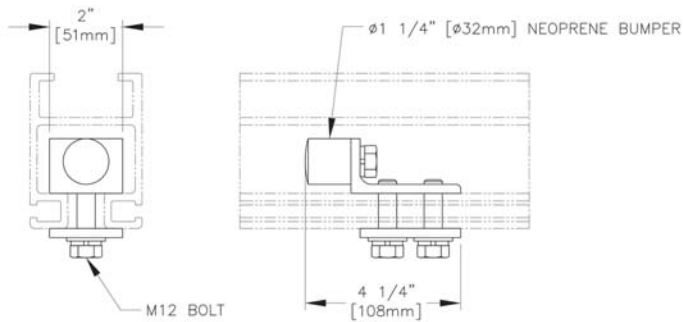
- Double End Stops for added safety are standard
- For Single End Stop replacement parts see ETA Parts Manual



25575 ETA-4/5 INSERTABLE MID-RAIL STOP ASSEMBLY Weight: 1 lb (.45 kg)

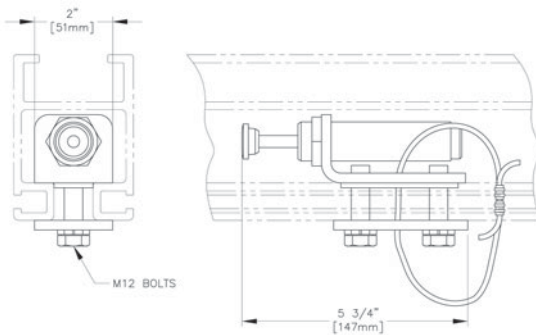


**25577 ETA-4/5 ADJUSTABLE INSERTABLE MID-RAIL STOP ASSEMBLY
Weight: 2 lbs. (.90 kg)**



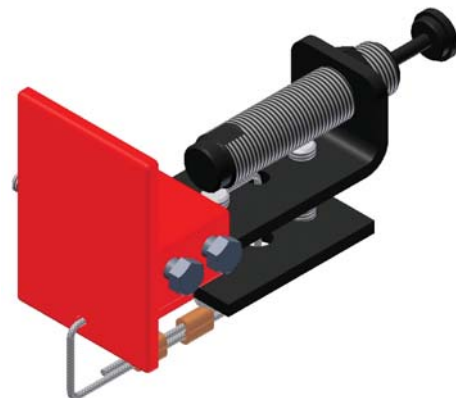
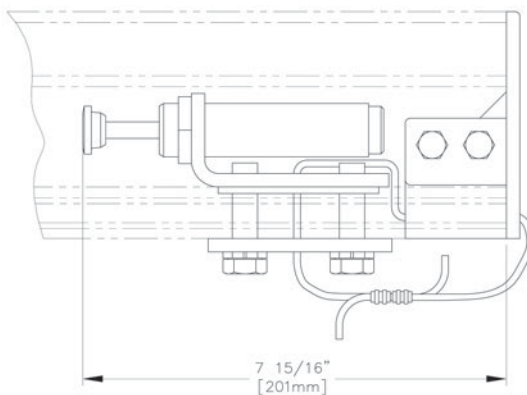
25580 ETA-4/5 MID-STOP ASSEMBLY

■ Weight 1 lb (0.4kg)



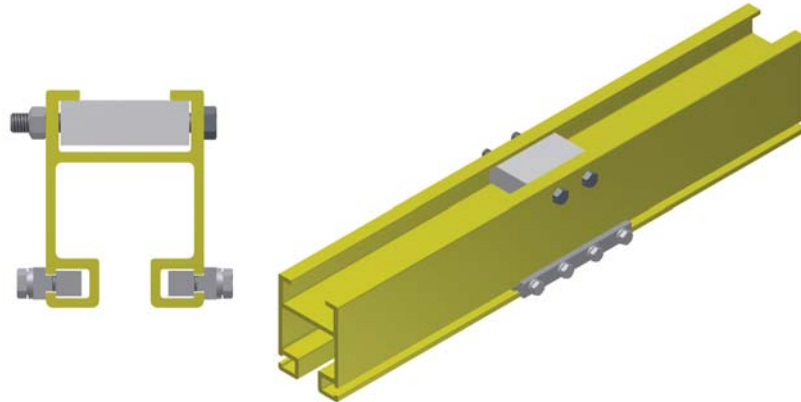
25185 ETA-4/5 POSITION STOP SHOCK ABSORBER ASSEMBLY

■ Weight: 2 lbs. (0.9kg)

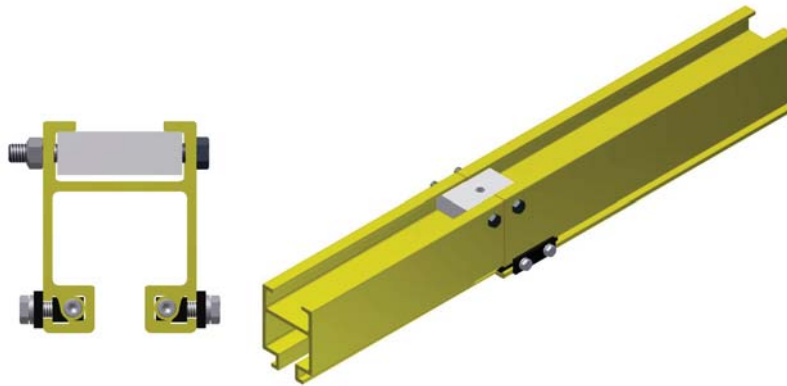


25133 ETA-4 END STOP SHOCK ABSORBER ASSEMBLY

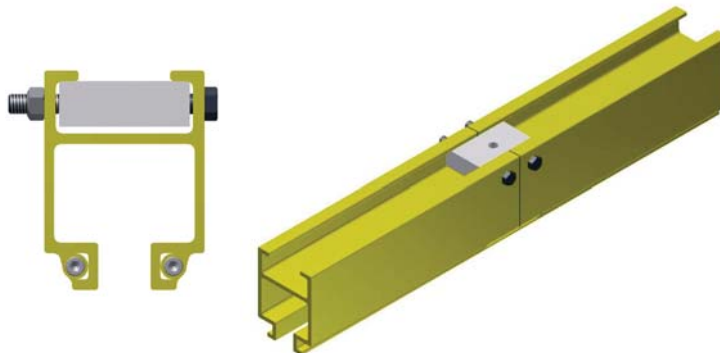
■ Weight: 3 lbs. (1.3kg)



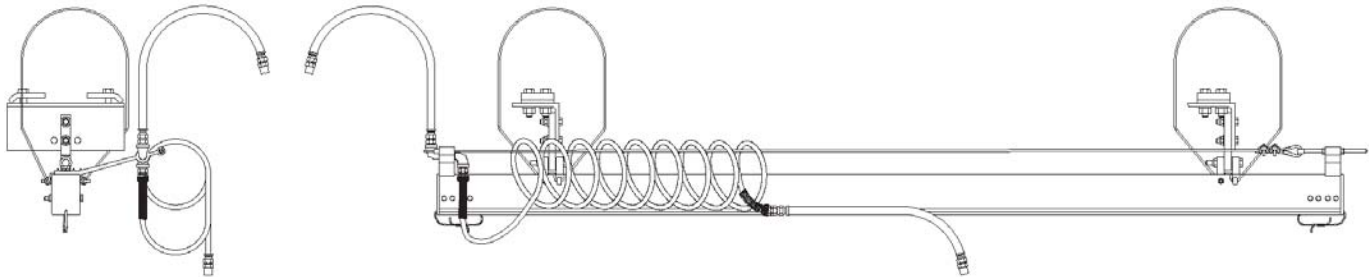
25514 ETA-4/5 BOLTED SPLICE ASSEMBLY
28050 ETA-4/5 BOLTED SPLICE BAR KIT (DOES NOT INCLUDE TOP BLOCK)



**25559 ETA-4 TRANSITION SPLICE ASSEMBLY
FOR OLD RAIL TO NEW RAIL**



25530 ETA-4 OLD RAIL SPLICE ASSEMBLY



RUNWAY AIR FESTOONING

RUNWAY AIR FESTOON KIT

Features

- Two Blue Whip Hoses x 36" (914mm)
- Blue Coiled Hose
- Two ETA Festoon Brackets
- 1/4" Nylon Coated Cable Assembly

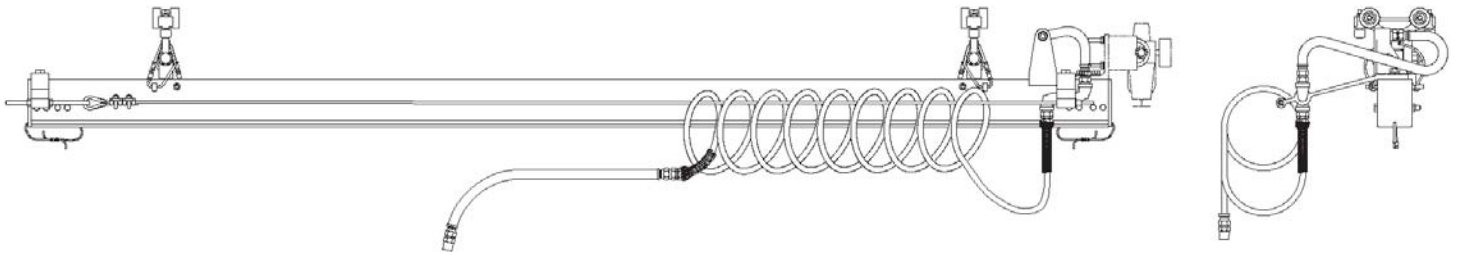
Part Number

■ 1/2" Hose Kits

- **29105** 5'-0" (1.5m) Long Runway Air Festoon Kit
- **29110** 10'-0" (3.0m) Long Runway Air Festoon Kit
- **29115** 15'-0" (4.5m) Long Runway Air Festoon Kit
- **29120** 20'-0" (6.0m) Long Runway Air Festoon Kit
- **29125** 25'-0" (7.6m) Long Runway Air Festoon Kit
- **29130** 30'-0" (9.1m) Long Runway Air Festoon Kit
- **29135** 35'-0" (10.6m) Long Runway Air Festoon Kit
- **29140** 40'-0" (12.1m) Long Runway Air Festoon Kit
- **29145** 45'-0" (13.7m) Long Runway Air Festoon Kit
- **29150** 50'-0" (15.2m) Long Runway Air Festoon Kit
- **29155** 55'-0" (16.7m) Long Runway Air Festoon Kit
- **29160** 60'-0" (18.2m) Long Runway Air Festoon Kit
- **29165** 65'-0" (19.8m) Long Runway Air Festoon Kit
- **29170** 70'-0" (21.3m) Long Runway Air Festoon Kit
- **29175** 75'-0" (22.8m) Long Runway Air Festoon Kit
- **29180** 80'-0" (24.3m) Long Runway Air Festoon Kit
- **29185** 85'-0" (25.9m) Long Runway Air Festoon Kit
- **29190** 90'-0" (27.4m) Long Runway Air Festoon Kit
- **29195** 95'-0" (28.9m) Long Runway Air Festoon Kit
- **29200** 100'-0" (30.4m) Long Runway Air Festoon Kit

■ 3/4" Hose Kits

- **29205** 5'-0" (1.5m) Long Runway Air Festoon Kit
- **29210** 10'-0" (3.0m) Long Runway Air Festoon Kit
- **29215** 15'-0" (4.5m) Long Runway Air Festoon Kit
- **29220** 20'-0" (6.0m) Long Runway Air Festoon Kit
- **29225** 25'-0" (7.6m) Long Runway Air Festoon Kit
- **29230** 30'-0" (9.1m) Long Runway Air Festoon Kit
- **29235** 35'-0" (10.6m) Long Runway Air Festoon Kit
- **29240** 40'-0" (12.1m) Long Runway Air Festoon Kit
- **29245** 45'-0" (13.7m) Long Runway Air Festoon Kit
- **29250** 50'-0" (15.2m) Long Runway Air Festoon Kit
- **29255** 55'-0" (16.7m) Long Runway Air Festoon Kit
- **29260** 60'-0" (18.2m) Long Runway Air Festoon Kit
- **29265** 65'-0" (19.8m) Long Runway Air Festoon Kit
- **29270** 70'-0" (21.3m) Long Runway Air Festoon Kit
- **29275** 75'-0" (22.8m) Long Runway Air Festoon Kit
- **29280** 80'-0" (24.3m) Long Runway Air Festoon Kit
- **29285** 85'-0" (25.9m) Long Runway Air Festoon Kit
- **29290** 90'-0" (27.4m) Long Runway Air Festoon Kit
- **29295** 95'-0" (28.9m) Long Runway Air Festoon Kit
- **29300** 100'-0" (30.4m) Long Runway Air Festoon Kit



BRIDGE AIR FESTOONING

BRIDGE AIR FESTOON KIT

Features

- Two Blue Whip Hoses x 36" (914mm)
- Blue Coiled Hose
- Two ETA Festoon Brackets
- One Air Hose Connector Bracket
- 1/4" Nylon Coated Cable with Hardware

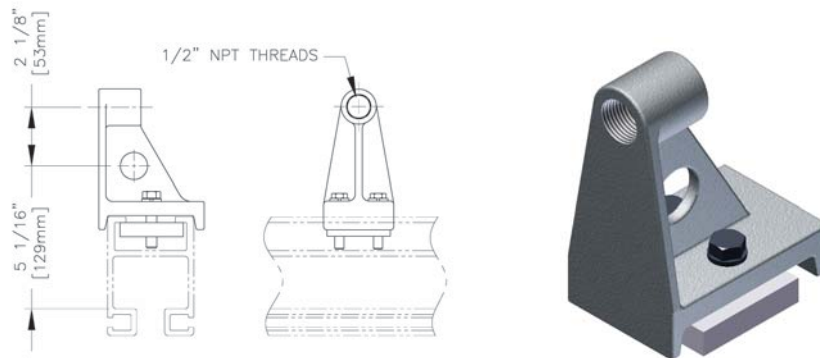
Options

- FR Assembly
- FRL Assembly
- Lockout

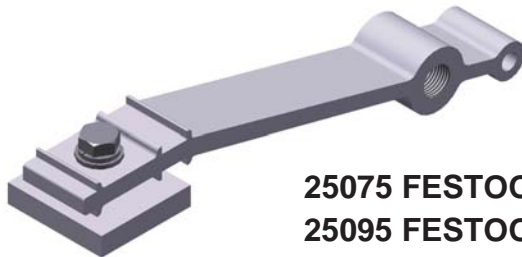
Part Number

- **29305** 5'-0" (1.5m) Long 1/2" Bridge Air Festoon Kit
- **29310** 10'-0" (3.0m) Long 1/2" Bridge Air Festoon Kit
- **29315** 15'-0" (4.5m) Long 1/2" Bridge Air Festoon Kit
- **29320** 20'-0" (6.0m) Long 1/2" Bridge Air Festoon Kit
- **29325** 25'-0" (7.6m) Long 1/2" Bridge Air Festoon Kit
- **29330** 30'-0" (9.1m) Long 1/2" Bridge Air Festoon Kit
- **29335** 35'-0" (10.6m) Long 1/2" Bridge Air Festoon Kit
- **29340** 40'-0" (12.1m) Long 1/2" Bridge Air Festoon Kit

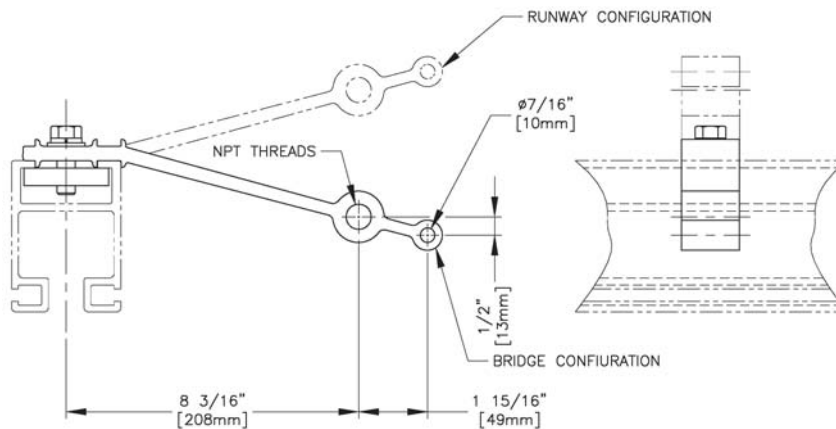
- **29405** 5'-0" (1.5m) Long 3/4" Bridge Air Festoon Kit
- **29410** 10'-0" (3.0m) Long 3/4" Bridge Air Festoon Kit
- **29415** 15'-0" (4.5m) Long 3/4" Bridge Air Festoon Kit
- **29420** 20'-0" (6.0m) Long 3/4" Bridge Air Festoon Kit
- **29425** 25'-0" (7.6m) Long 3/4" Bridge Air Festoon Kit
- **29430** 30'-0" (9.1m) Long 3/4" Bridge Air Festoon Kit
- **29435** 35'-0" (10.6m) Long 3/4" Bridge Air Festoon Kit
- **29440** 40'-0" (12.1m) Long 3/4" Bridge Air Festoon Kit



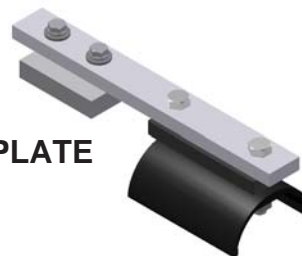
25290 1/2" AIR HOSE CONNECTOR BRACKET ASSEMBLY
25065 3/4" AIR HOSE CONNECTOR BRACKET ASSEMBLY



25075 FESTOON BRACKET ASSEMBLY 1/2" NPT
25095 FESTOON BRACKET ASSEMBLY 3/4" NPT



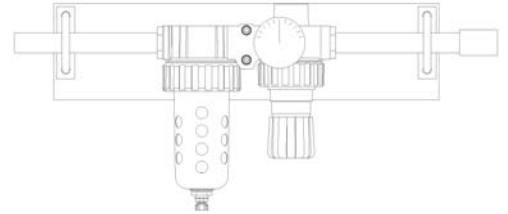
25815 ETA ELECTRIC FESTOON ANCHOR PLATE





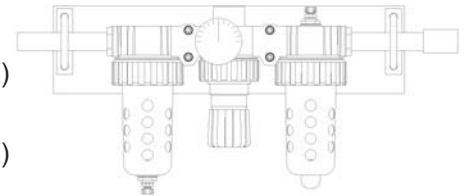
FILTER REGULATORS

- **25503** FR Assembly 1/2" Air Supply (Parker Standard)
- **25516** FR Assembly 1/2" Air Supply includes Manual Lockout (SMC Optional)
- **25517** FR Assembly 3/4" Air Supply (Parker Standard)
- **25518** FR Assembly 3/4" Air Supply includes Manual Lockout (SMC Optional)



FILTER REGULATOR LUBRICATORS

- **25500** FRL Assembly 1/2" Air Supply (Parker Standard)
- **25519** FRL Assembly 1/2" Air Supply includes Manual Lockout (SMC Optional)
- **25521** FRL Assembly 3/4" Air Supply (Parker Standard)
- **25522** FRL Assembly 3/4" Air Supply includes Manual Lockout (SMC Optional)



MANUAL LOCKOUTS

- **25523** Manual Lockout 1/2" Air Supply (Parker Standard)
- **25524** Manual Lockout 1/2" Air Supply (SMC Optional)
- **78107** Manual Lockout 3/4" Air Supply (Parker Standard)
- **78108** Manual Lockout 3/4" Air Supply (SMC Optional)



(Parker Standard)

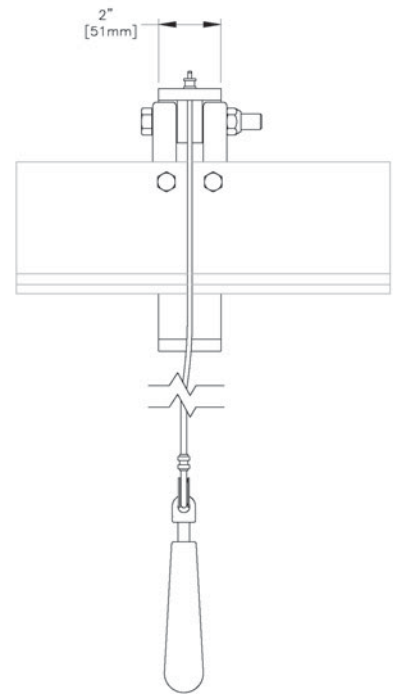
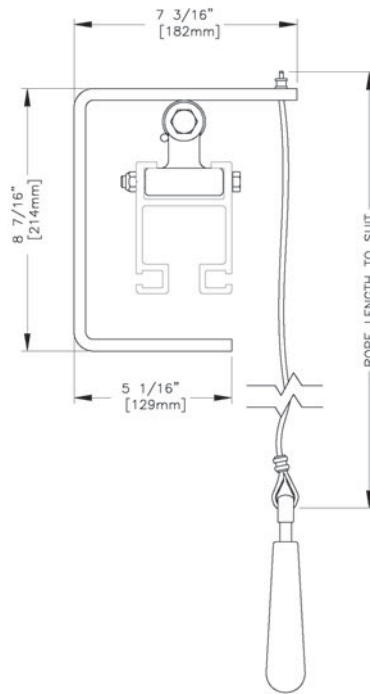
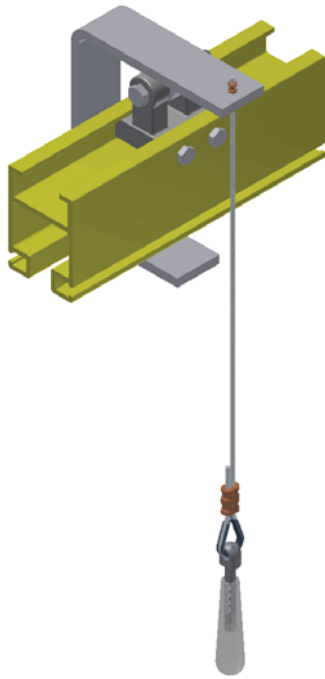


(SMC Optional)

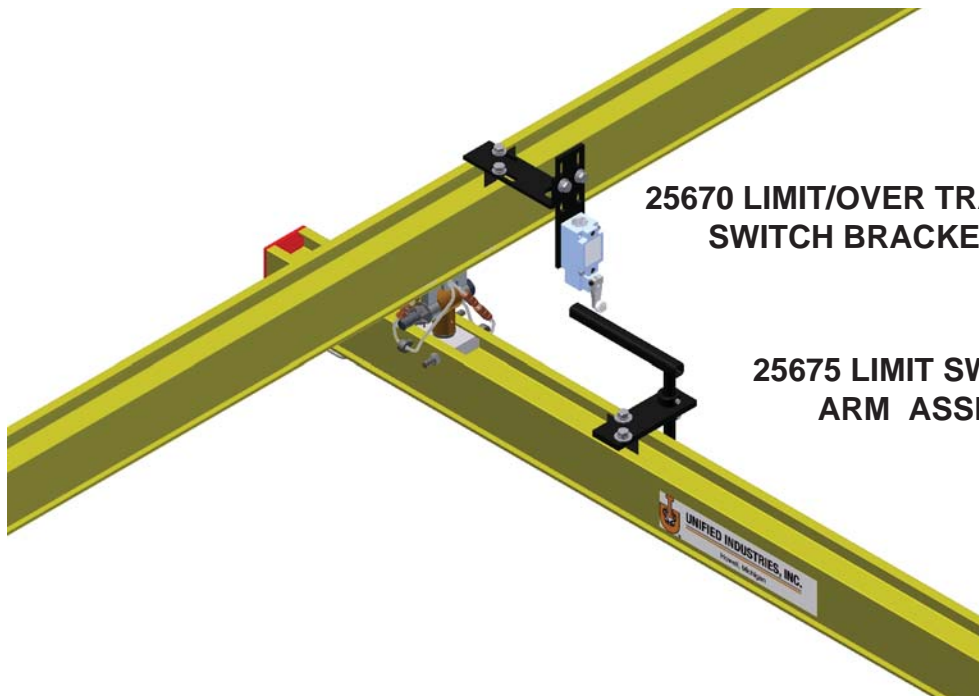
ELECTRIC JUNCTION BOX

- **25665** Electric Junction Box
- **67000** 4-Wire 12 ga. Flatwire Electric Cable (per foot)





27066 BY-PASS ASSEMBLY



**25670 LIMIT/OVER TRAVEL
SWITCH BRACKET**

**25675 LIMIT SWITCH TRIP
ARM ASSEMBLY**

25677 OVER TRAVEL SWITCH ASSEMBLY

- Limit switch not included

UNIFIED DROP ANGLE KITS



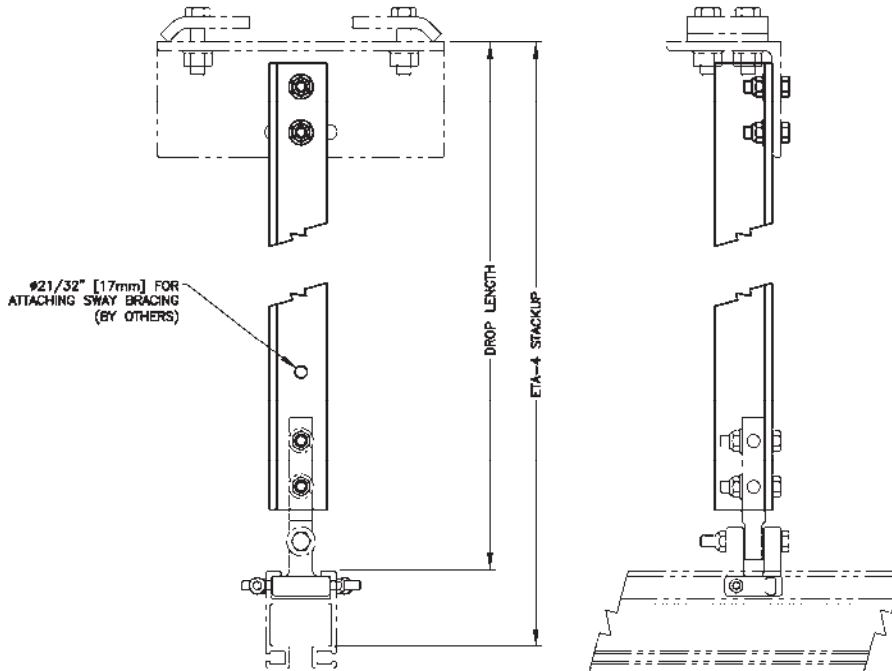
Beam Hanger

- Rated Load 2,000lbs (908kg)
- Beam Hanger sold separately
- Drop Angle Lengths 1'-2" (355mm) to 6'-0" (1829mm) require a cable hole
- Drop Angle Lengths 2'-0" (610mm) to 6'-0" (1829mm) require knee braces in both directions
- Knee Bracing by others
- Drops of 8" (203mm) to 11" (280mm) Consult Engineering



Adjustable Hanger

- Rated Load 1,500lbs (680kg)
- Adjustable Hanger sold separately
- Drop Angle Lengths 1'-2" (355mm) to 6'-0" (1829mm) require a cable hole
- Drop Angle Lengths 2'-0" (610mm) to 6'-0" (1829mm) require knee braces in both directions
- Knee Bracing by others
- Drops of 8" (203mm) to 11" (280mm) Consult Engineering

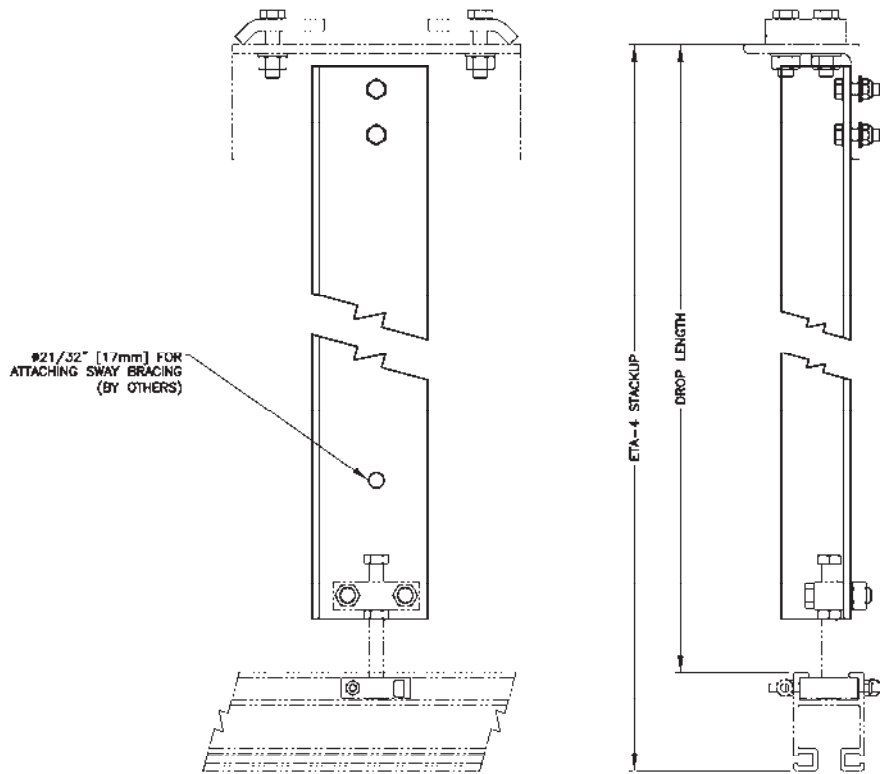


NOTE:
RATED LOAD 2000 LBS [907 Kg].

KIT PART #	DROP ANGLE PART #	DROP LENGTH		ETA-4 STACKUP	
28700	75101	1'-0"	305mm	1'-3 5/16"	389mm
		1'-1"	330mm	1'-4 5/16"	414mm
		1'-2"	356mm	1'-5 5/16"	440mm
		1'-3"	381mm	1'-6 5/16"	465mm
		1'-4"	406mm	1'-7 5/16"	491mm
		1'-5"	432mm	1'-8 5/16"	516mm
		1'-6"	457mm	1'-9 5/16"	542mm
		1'-7"	483mm	1'-10 5/16"	567mm
		1'-8"	508mm	1'-11 5/16"	593mm
		1'-9"	533mm	2'-0 5/16"	618mm
		1'-10"	559mm	2'-1 5/16"	643mm
		1'-11"	584mm	2'-2 5/16"	668mm
		2'-0"	610mm	2'-3 5/16"	694mm
28701	75102	2'-1"	635mm	2'-4 5/16"	719mm
		2'-2"	660mm	2'-5 5/16"	745mm
		2'-3"	686mm	2'-6 5/16"	770mm
		2'-4"	711mm	2'-7 5/16"	795mm
		2'-5"	737mm	2'-8 5/16"	821mm
		2'-6"	762mm	2'-9 5/16"	846mm
		2'-7"	787mm	2'-10 5/16"	872mm
		2'-8"	813mm	2'-11 5/16"	897mm
		2'-9"	838mm	3'-0 5/16"	922mm
		2'-10"	864mm	3'-1 5/16"	948mm
		2'-11"	889mm	3'-2 5/16"	973mm
		3'-0"	914mm	3'-3 5/16"	999mm
		28702	75103	3'-1"	940mm
3'-2"	965mm			3'-5 5/16"	1049mm
3'-3"	991mm			3'-6 5/16"	1075mm
3'-4"	1016mm			3'-7 5/16"	1100mm
3'-5"	1041mm			3'-8 5/16"	1126mm
3'-6"	1067mm			3'-9 5/16"	1151mm

KIT PART #	DROP ANGLE PART #	DROP LENGTH		ETA-4 STACKUP	
28702	75103	3'-7"	1092mm	3'-10 5/16"	1176mm
		3'-8"	1118mm	3'-11 5/16"	1202mm
		3'-9"	1143mm	4'-0 5/16"	1227mm
		3'-10"	1168mm	4'-1 5/16"	1253mm
		3'-11"	1194mm	4'-2 5/16"	1278mm
		4'-0"	1219mm	4'-3 5/16"	1303mm
28703	75104	4'-1"	1245mm	4'-4 5/16"	1329mm
		4'-2"	1270mm	4'-5 5/16"	1354mm
		4'-3"	1295mm	4'-6 5/16"	1380mm
		4'-4"	1321mm	4'-7 5/16"	1405mm
		4'-5"	1346mm	4'-8 5/16"	1430mm
		4'-6"	1372mm	4'-9 5/16"	1456mm
		4'-7"	1397mm	4'-10 5/16"	1481mm
		4'-8"	1422mm	4'-11 5/16"	1507mm
		4'-9"	1448mm	5'-0 5/16"	1532mm
		4'-10"	1473mm	5'-1 5/16"	1557mm
28704	75105	4'-11"	1498mm	5'-2 5/16"	1583mm
		5'-0"	1524mm	5'-3 5/16"	1608mm
		5'-1"	1549mm	5'-4 5/16"	1634mm
		5'-2"	1575mm	5'-5 5/16"	1659mm
		5'-3"	1600mm	5'-6 5/16"	1684mm
		5'-4"	1626mm	5'-7 5/16"	1709mm
		5'-5"	1651mm	5'-8 5/16"	1735mm
		5'-6"	1676mm	5'-9 5/16"	1761mm
		5'-7"	1702mm	5'-10 5/16"	1786mm
		5'-8"	1727mm	5'-11 5/16"	1811mm
5'-9"	75105	5'-9"	1753mm	6'-0 5/16"	1837mm
		5'-10"	1778mm	6'-1 5/16"	1862mm
		5'-11"	1803mm	6'-2 5/16"	1888mm
		6'-0"	1829mm	6'-3 5/16"	1913mm

*Beam Hanger with safety cable sold separately



NOTES:
RATED LOAD 1500 LBS [680 Kg].

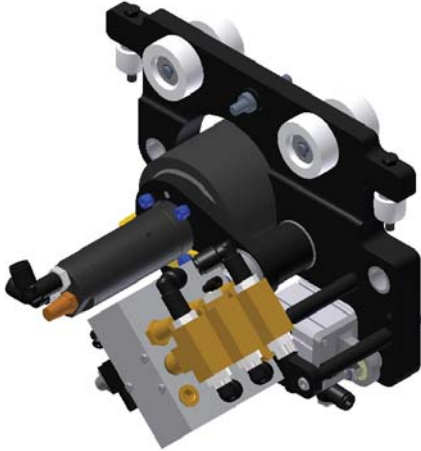
KIT PART #	DROP ANGLE PART #	DROP LENGTH		ETA-4 STACKUP	
		IN	MM	IN	MM
28710	75111	9"	229mm	1'-0 5/16"	313mm
		10"	254mm	1'-1 5/16"	338mm
		11"	279mm	1'-2 5/16"	364mm
28711	75112	1'-0"	305mm	1'-3 5/16"	369mm
		1'-1"	330mm	1'-4 5/16"	414mm
		1'-2"	356mm	1'-5 5/16"	440mm
		1'-3"	381mm	1'-6 5/16"	465mm
		1'-4"	406mm	1'-7 5/16"	491mm
		1'-5"	432mm	1'-8 5/16"	516mm
		1'-6"	457mm	1'-9 5/16"	542mm
		1'-7"	483mm	1'-10 5/16"	567mm
		1'-8"	508mm	1'-11 5/16"	593mm
		1'-9"	533mm	2'-0 5/16"	618mm
		1'-10"	559mm	2'-1 5/16"	643mm
		1'-11"	584mm	2'-2 5/16"	668mm
		2'-0"	610mm	2'-3 5/16"	694mm
		2'-1"	635mm	2'-4 5/16"	719mm
		28712	75113	2'-2"	660mm
2'-3"	686mm			2'-6 5/16"	770mm
2'-4"	711mm			2'-7 5/16"	795mm
2'-5"	737mm			2'-8 5/16"	821mm
2'-6"	762mm			2'-9 5/16"	846mm
2'-7"	787mm			2'-10 5/16"	872mm
2'-8"	813mm			2'-11 5/16"	897mm
2'-9"	838mm			3'-0 5/16"	922mm
2'-10"	864mm			3'-1 5/16"	948mm
2'-11"	889mm			3'-2 5/16"	973mm
28713	75114			3'-0"	914mm
		3'-1"	940mm	3'-4 5/16"	1024mm
		3'-2"	965mm	3'-5 5/16"	1049mm
		3'-3"	991mm	3'-6 5/16"	1075mm
		3'-4"	1016mm	3'-7 5/16"	1100mm

KIT PART #	DROP ANGLE PART #	DROP LENGTH		ETA-4 STACKUP	
		IN	MM	IN	MM
28713	75114	3'-5"	1041mm	3'-8 5/16"	1126mm
		3'-6"	1067mm	3'-9 5/16"	1151mm
		3'-7"	1092mm	3'-10 5/16"	1176mm
		3'-8"	1118mm	3'-11 5/16"	1202mm
		3'-9"	1143mm	4'-0 5/16"	1227mm
		3'-10"	1188mm	4'-1 5/16"	1253mm
		3'-11"	1194mm	4'-2 5/16"	1278mm
28714	75115	4'-0"	1219mm	4'-3 5/16"	1303mm
		4'-1"	1245mm	4'-4 5/16"	1329mm
		4'-2"	1270mm	4'-5 5/16"	1354mm
		4'-3"	1295mm	4'-6 5/16"	1380mm
		4'-4"	1321mm	4'-7 5/16"	1405mm
		4'-5"	1346mm	4'-8 5/16"	1430mm
		4'-6"	1372mm	4'-9 5/16"	1456mm
		4'-7"	1397mm	4'-10 5/16"	1481mm
		4'-8"	1422mm	4'-11 5/16"	1507mm
		4'-9"	1448mm	5'-0 5/16"	1532mm
		4'-10"	1473mm	5'-1 5/16"	1557mm
28715	75116	4'-11"	1499mm	5'-2 5/16"	1583mm
		5'-0"	1524mm	5'-3 5/16"	1608mm
		5'-1"	1549mm	5'-4 5/16"	1634mm
		5'-2"	1575mm	5'-5 5/16"	1659mm
		5'-3"	1600mm	5'-6 5/16"	1684mm
		5'-4"	1626mm	5'-7 5/16"	1708mm
		5'-5"	1651mm	5'-8 5/16"	1735mm
		5'-6"	1676mm	5'-9 5/16"	1761mm
		5'-7"	1702mm	5'-10 5/16"	1786mm
		5'-8"	1727mm	5'-11 5/16"	1811mm
		5'-9"	1753mm	6'-0 5/16"	1837mm
		5'-10"	1778mm	6'-1 5/16"	1862mm
		5'-11"	1803mm	6'-2 5/16"	1888mm
		6'-0"	1829mm	6'-3 5/16"	1913mm

*Adjustable Hanger with safety cable sold separately

UNIFIED AIR TRACTOR

The lube free air tractor was developed to be a compact, and reliable alternative to those large air tractors most companies are familiar with.



Features

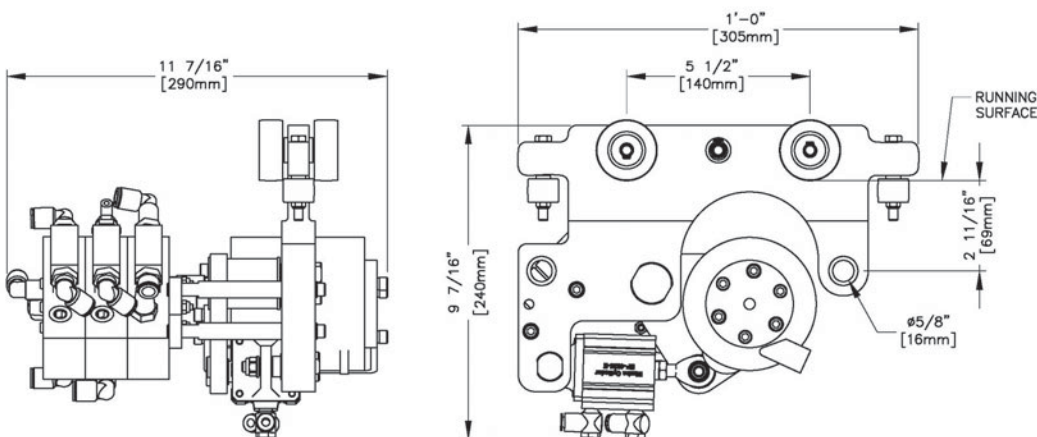
- Lightweight and Compact
- Lube Free Air Motor
- Maintenance Friendly Design
- Quick Delivery, Excellent Pricing

Control Package Options:

- C1 = SMC Control Pack w/Fwd/Rev 2-Button Control Pendant.
- C2 = SMC Control Pack Only. (Requires main air connection + Fwd/Rev signals)
- C3 = Base Tractor Only. No Control valves.
- C4 = SMC Control Pack w/4-Button Control Pendant (Fwd/Rev + ??)

Part Number

- **UAT-NB-C(x)-ETA4** Air Tractor to run on ETA-4/5 rail. Specify control pack above. Weight 30 lbs (15kg)
- **25682** ETA-4/5 Tractor Tow Bar-Hitch
- **60315** Replacement Drive Wheel



Proper Tractor Operation: Tractor must come to a complete stop before it can be engaged in the opposite direction. If this process is not followed, damage to the Tractor will occur and the warranty will be void.

Designed for a working plant air pressure of: 87-102psi (600-700kPA)

*NB = No Brake



UNIFIED AIR BALANCER

A proven ergonomic lifting and positioning device



- **Capacities** up to 485lbs. (220kg) single reeve - 1940lbs. (880kg) tandem reeved.
- **Safety** overload limit and check valve in case of loss of air supply.
- **Energy Efficient** only a fraction of a CFM per cycle required when compared to a pneumatic hoist.
- **Robust** precision mechanical design & powder coated housing ensures trouble free extended service life.
- Uses non-lubricated air, assures clean environment.
- Ideal for ergonomic handling applications and suspension of tools, weld guns & fixtures.
- All Non-Reeved balancers come equipped with a 25'-6" (9m) cable.

Control Styles

UBB = Basic Balancer with no controls

UAB = Balancer with Up/Down controls

UZB = Balancer with Zero G

Model #	Weight Capacity/Lift	Air Consumption
U_B-132	132lbs (60kg)/79in (2000mm)	.5 CFM(.85CMH)
U_B-220	220lbs (100kg)/118in (3000mm)	1.3 CFM(2.21CMH)
U_B-331	331lbs (150kg)/79in (2000mm)	1.3 CFM(2.21CMH)
U_B-485	485lbs (220kg)/79in (2000mm)	1.9 CFM(3.23 CMH)

- Wire Rope Units (Air Pressure 7kgf/cm²) (100 PSI)

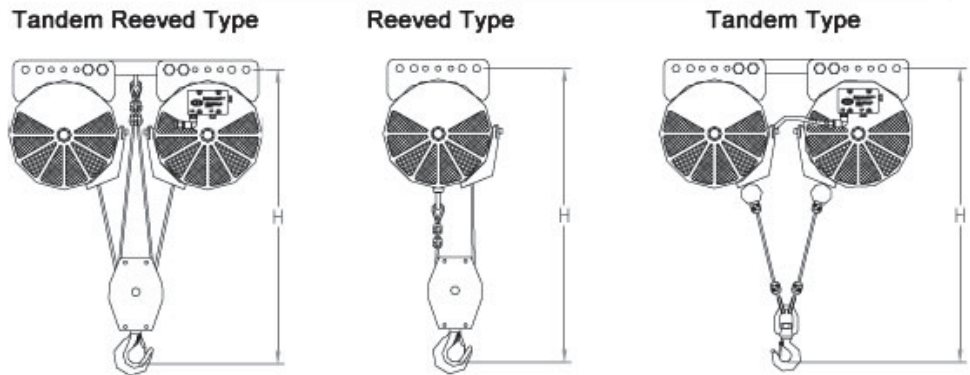
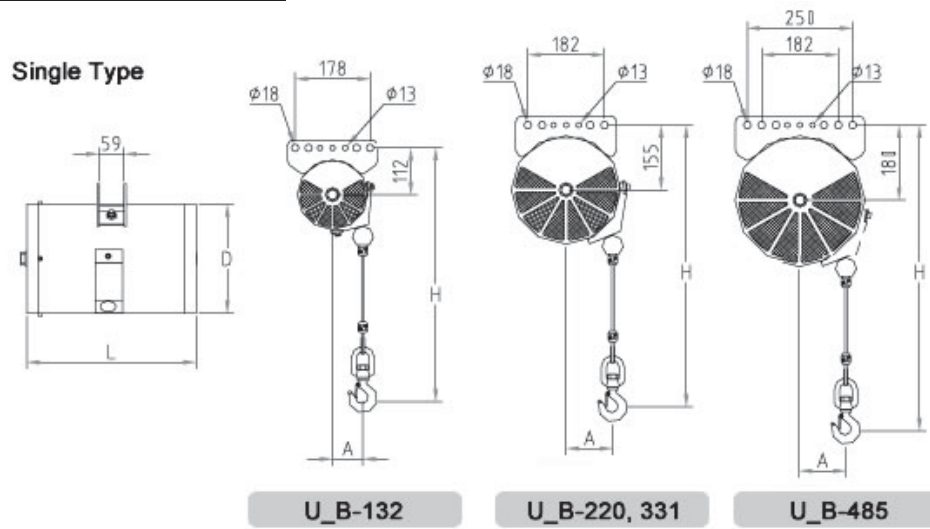
Optional Accessories

Part #	Description
99025	Up/Down Manifold
99026	Up/Down Control Kit—Includes Manifold, 12ft (3.65m) Hose and 2-button pendant
99100	Top Hook Assembly



Single Type

Model	"A" Dimension
U_B-132	2.83 inch (72mm)
U_B-220	4.35 inch (110.5mm)
U_B-331	2.83 inch (72mm)
U_B-485	2.83 inch (72mm)



Single Balancer

Model #	Capacity		Lift		D x L		H		Net Weight		CFM (per cycle)
	lbs	kg	in	mm	in	mm	in	mm	lbs	kg	
U_B-132-079	132	60	79	2000	6.1 x 15.43	155 x 392	23	600	51	23	.5
U_B-220-118	220	100	118	3000	10.24 x 15.75	260 x 400	28	700	94	42.5	1.3
U_B-331-079	331	150	79	2000	10.24 x 15.75	260 x 400	28	700	105	47	1.3
U_B-485-079	485	220	79	2000	12.21 x 15.75	310 x 400	30	750	110	50	1.9

Reeved Balancer (R) Tandem Balancer (T) Tandem-Reeved Balancer (TR)

Model #	Capacity		Lift		D x L		H		Net Weight	
	lbs	kg	in	mm	in	mm	in	mm	lbs	kg
U_B-440-59R	440	200	59	1500	10.24 x 15.75	260 x 400	28	700	104	47
U_B-440-118T	440	200	118	3000	2-10.24 x 15.76	260 x 400	28	700	203	92
U_B-662-39R	662	300	39	1000	10.24 x 15.77	260 x 400	28	700	99	45
U_B-661-79T	662	300	79	2000	2-10.24 x 15.78	260 x 400	28	700	198	90
U_B-970-39R	970	440	39	1000	12.21 x 15.75	310 x 400	30	750	124	56
U_B-970-79T	970	440	79	2000	2-12.21 x 15.75	310 x 400	30	750	243	110
U_B-882-59TR	882	400	59	1500	2-10.24 x 15.78	260 x 400	28	700	209	95
U_B-1323-39TR	1323	600	39	1000	2-10.24 x 15.79	260 x 400	28	700	203	92
U_B-1940-39TR	1940	880	39	1000	2-12.21 x 15.75	310 x 400	30	750	254	115

CAUTION

This bridge crane has a safe load rating, which has been clearly marked on both sides by the manufacturer. The total weight of the suspended load should never exceed 125% of this limit. The weight of all handling devices such as buckets, magnets, grabs, balancers, hoists, weldguns, etc. must be included as a part of the suspended load. The weight of such devices should therefore be determined and clearly marked.

Consideration should be given when installing hoisting devices. Load ratings for such devices may exceed the load rating of the bridge crane.

The operator should inspect this bridge crane for loose bolts and worn, cracked or distorted parts prior to use (inspection should include all handling devices and mounting equipment). Defective parts should be replaced with manufacturer-approved parts before use of bridge crane is resumed.

This bridge crane conforms to the safety standards of the U.S. Occupational Safety and Health Administration (OSHA). Any alteration of its structure or change in its rated load capacity may render null and void any manufacturer's warranties, expressed or implied.

***All dimensions are reference only and need to be verified with factory.**

